

D 1" Tweeter



Type Number: D27TG-05-06

Features:

Driver Highlights: 1" dome tweeter, fabric diaphragm, ferrofluid



Specs:

Electrical Data

Nominal impedance	Zn	6	ohm
Minimum impedance	Zmin	--	ohm
Maximum impedance	Zo	--	ohm
DC resistance	Re	4.6	ohm
Voice coil inductance	Le	--	mH

T-S Parameters

Resonance Frequency	fs	1000	Hz
Mechanical Q factor	Qms	2.15	
Electrical Q factor	Qes	1.19	
Total Q factor	Qts	0.77	
Force factor	Bl	2.7	Tm
Mechanical resistance	Rms	--	Kg/s
Moving mass	Mms	0.3	g
Suspension compliance	Cms	--	mm/N
Effective cone diameter	D	--	cm
Effective piston area	Sd	7.1	cm ²
Equivalent volume	Vas	0.006	ltrs
Sensitivity (2.83V/1m)		92	dB

Power handling

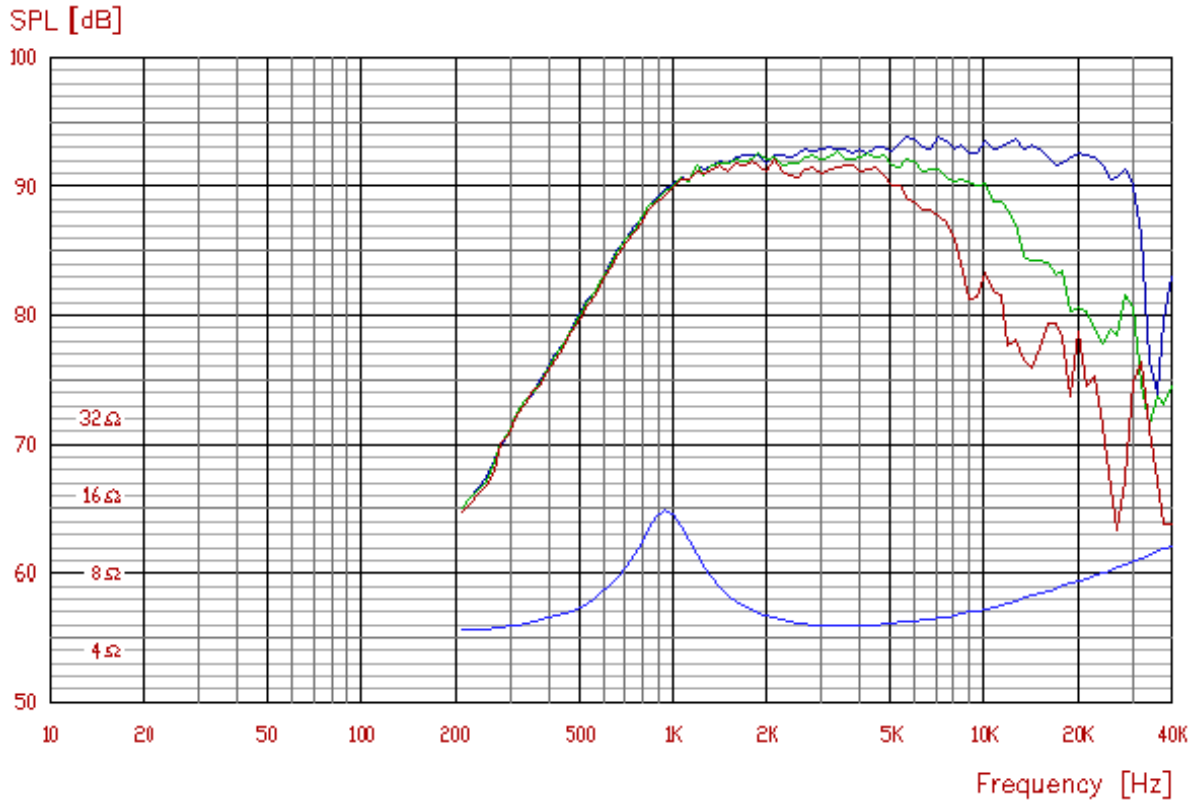
Long-term Max Power (IEC 18.3)	200	W
Short Term Max power (IEC 18.2)	400	W

Voice Coil and Magnet Parameters

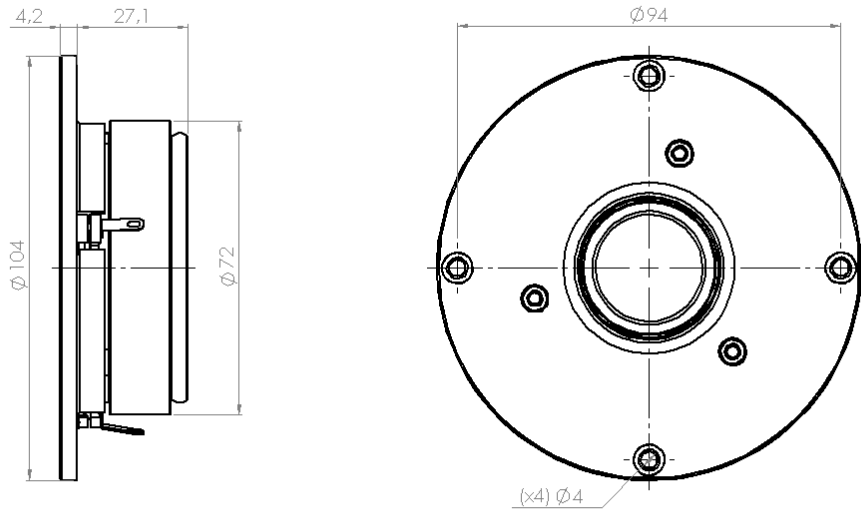
Voice coil diameter	26	mm
Voice coil height	1.6	mm
Voice coil layers	--	
Height of the gap	2	mm
Flux density of gap	--	mWb
Total useful flux	--	mWb
Diameter of magnet	--	mm
Height of magnet	--	mm
Weight of magnet	0.24	Kg

Notes:
IEC specs refer to IEC 60268-5 third edition.
All Tymphany products are RoHS compliant.

Frequency: D27TG-05-06



Mechanical Dimensions: D27TG-05-06



D27TG-05-06