

Model No.: TC9FD00-04

Product Line: Tymphany

Rev: 1

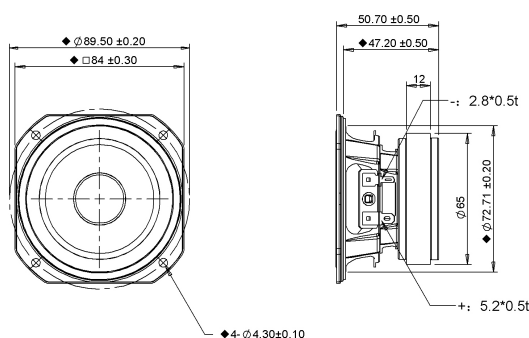
Last Update: 2017-04-25 14:32:09

Product Description

This TC family 3.5 inch 4 ohm full-range driver, with ferrite magnet, paper cone, fabric surround and steel basket, is designed to be a cost-effective high performance full range driver. The cone utilizes Tymphany-patented PentaCut NRSC cone technology to help dampen and control cone resonances, optimizing the listening experience. The motor contains a copper cap to lower inductance and distortion. The product was designed with Pro column and other high sensitivity full range applications in mind.



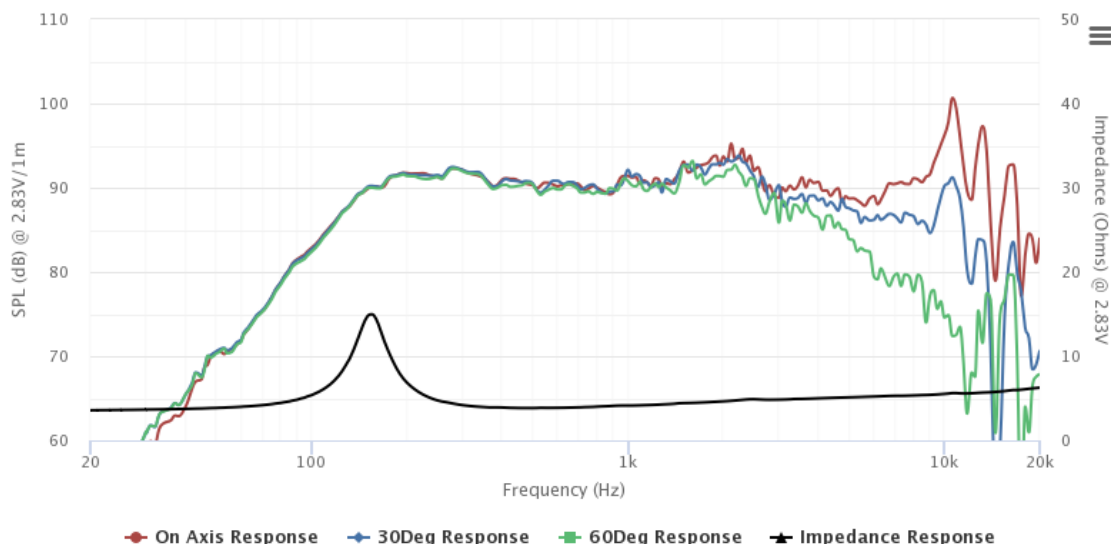
Mechanical Drawing



Specifications

| | | | | | | | |
|-------------------------------|-------------|--------|--------|-----------|----------------------------|----------|--------------------------|
| DC Resistance | Revc | Ohms | 3.03 | 5.0% | Energy Bandwidth Product | EBP | (1/Qes)*fs |
| Minimum Impedance | Zmin | Ohms | 3.84 | 7.5% | Moving Mass | Mms | g |
| Voice Coil Inductance | Le | mH | 0.02 | | Suspension Compliance | Cms | um/N |
| Resonant Frequency | Fs | Hz | 174.64 | 15% | Effective Cone diameter | D | cm |
| Mechanical Q Factor | Qms | | 4.75 | | Effective Piston Area | Sd | cm ² |
| Electrical Q Factor | Qes | | 1.28 | | Effective Volume | Vas | L |
| Total Q Factor | Qts | | 1.01 | | Motor Force Factor | BL | Tm |
| Ratio Fs/Qts | F | Fs/Qts | 173.09 | | Motor Efficiency Factor | β | (T*M ²)/Ohms |
| Half Space Sensitivity @2.83V | db@2.83V/1M | dB | 90.27 | +/- 1.0db | Voice coil former Material | VCfm | ASV |
| Half Space Sensitivity @1W/1M | db@1W/1M | dB | 87.1 | +/- 1.0db | Voice coil inner diameter | VCd | mm |
| Gap Height | Gh | mm | 4 | | Rated Noise Power | P | W |
| Maximum Linear Excursion | Xmax | mm | 1.6 | | Test Spectrum Bandwidth | Fs-10000 | |
| Ferrofluid Type | FF | | | | Driver Size | Inch | 3.5 in |
| Driver Mass | Kg | | 0.4 | | | | |

Frequency and Impedance Response



Highcharts.com