

Model No.: XXLS-P835037

Rev: 1

Product Line: Peerless

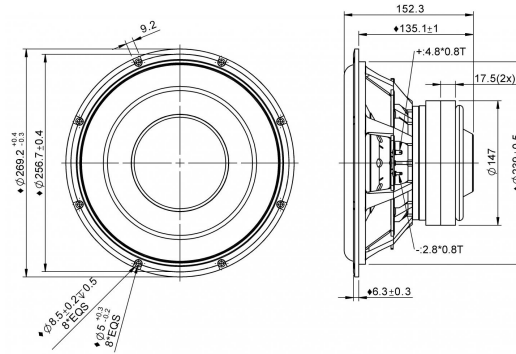
Last Update: 2017-04-25 14:32:09

Product Description

This member of the XXLS product family has all the design features suitable for a high performance, high excursion subwoofer driver. The motor features a double ferrite magnet motor, supporting high excursion, and aluminium shorting rings and pole extenders, lowering and linearizing the inductance of the overhung voice coil. The light & stiff composite paper cone is vented under the dust cap, to reduce air compression. The suspension system features a low-creep rubber surround, and a nomex spider, ensuring long-term reliability under high power conditions. The product also features a rigid cast aluminium basket.



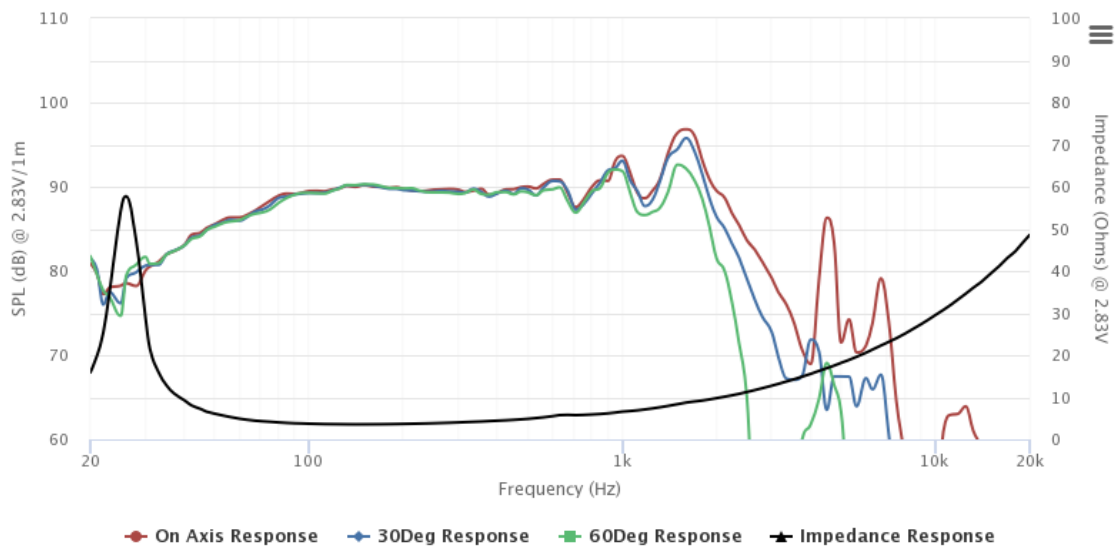
Mechanical Drawing



Specifications

DC Resistance	Revc	Ohms	2.71	5.0%	Energy Bandwidth Product	EBP	(1/Qes)*fs
Minimum Impedance	Zmin	Ohms	3.57	7.5%	Moving Mass	Mms	g
Voice Coil Inductance	Le	mH	0.5		Suspension Compliance	Cms	um/N
Resonant Frequency	Fs	Hz	28.27	15%	Effective Cone diameter	D	cm
Mechanical Q Factor	Qms		9.83		Effective Piston Area	Sd	cm^2
Electrical Q Factor	Qes		0.45		Effective Volume	Vas	L
Total Q Factor	Qts		0.43		Motor Force Factor	BL	Tm
Ratio Fs/Qts	F	Fs/Qts	66.37		Motor Efficiency Factor	β	(T*M^2)/Ohms
Half Space Sensitivity @2.83V	db@2.83V/1M	dB	90.02	+/- 1.0db	Voice coil former Material	VCfm	GSV
Half Space Sensitivity @1W/1M	db@1W/1M	dB	86.5	+/- 1.0db	Voice coil inner diameter	VCd	mm
Gap Height	Gh	mm	8		Rated Noise Power	P	W
Maximum Linear Excursion	Xmax	mm	12.3		Test Spectrum Bandwidth		20Hz - 20kHz
Ferrofluid Type	FF				Driver Size	Inch	10 in
Driver Mass	Kg		6.9				

Frequency and Impedance Response



Highcharts.com