

Model No.: GBS-165F32CP00-02

Rev: 1

Product Line: Tymphany

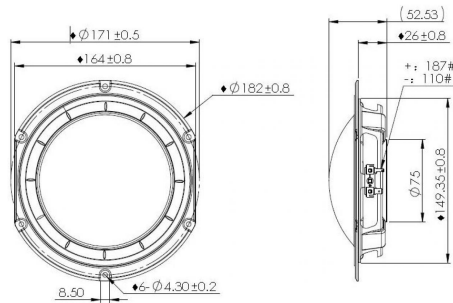
Last Update: 2018-03-05 09:31:06

Product Description

GBS subwoofer, 6.5 inch, paper dome, ferrite magnet, steel basket, 2 ohm



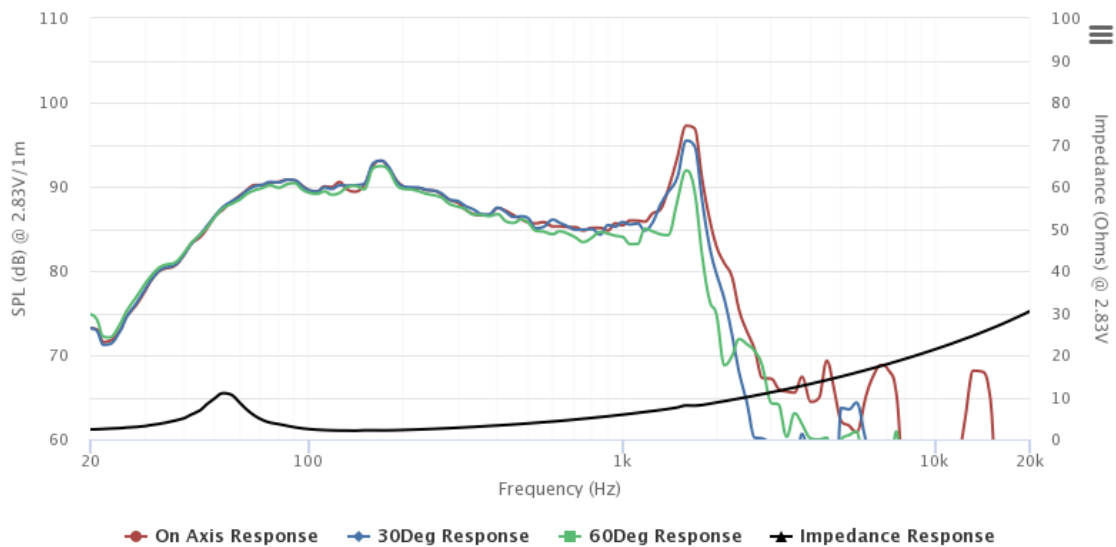
Mechanical Drawing



Specifications

DC Resistance	Revc	Ohms	1.67	5.0%	Energy Bandwidth Product	EBP	(1/Qes)*fs
Minimum Impedance	Zmin	Ohms	2.07	7.5%	Moving Mass	Mms	g
Voice Coil Inductance	Le	mH	0.33		Suspension Compliance	Cms	um/N
Resonant Frequency	Fs	Hz	63.2	15%	Effective Cone diameter	D	cm
Mechanical Q Factor	Qms		3.99		Effective Piston Area	Sd	cm ²
Electrical Q Factor	Qes		0.7		Effective Volume	Vas	L
Total Q Factor	Qts		0.59		Motor Force Factor	BL	Tm
Ratio Fs/Qts	F	Fs/Qts	106.76		Motor Efficiency Factor	β	(T*M ²)/Ohms
Half Space Sensitivity @2.83V	db@2.83V/1M	dB	90.48	+/- 1.0db	Voice coil former Material	VCfm	ASV
Half Space Sensitivity @1W/1M	db@1W/1M	dB	84.6	+/- 1.0db	Voice coil inner diameter	VCd	mm
Gap Height	Gh	mm	6		Rated Noise Power	P	W
Maximum Linear Excursion	Xmax	mm	4.8		Test Spectrum Bandwidth	Fo~800	
Ferrofluid Type	FF				Driver Size	Inch	6.5 in
Driver Mass	Kg		1.15				

Frequency and Impedance Response



Highcharts.com