

Model No.: FSL-1830R06-08

Rev: 1

Product Line: Tymphany

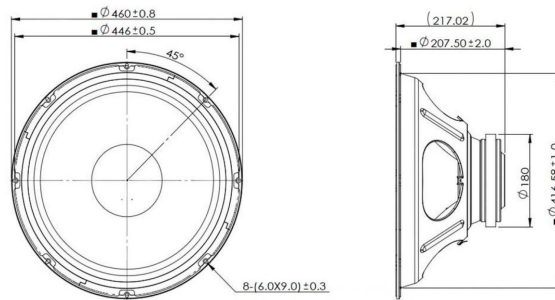
Last Update: 2017-03-03 09:00:02

Product Description

This 18 inch 8 ohm speaker features a FEA optimized ferrite magnet motor, a 3 inch high-temperature voice coil, and a high strength stamped steel frame. The multi-roll surround and spider have been optimized to reduce distortion over the excursion range of this transducer.



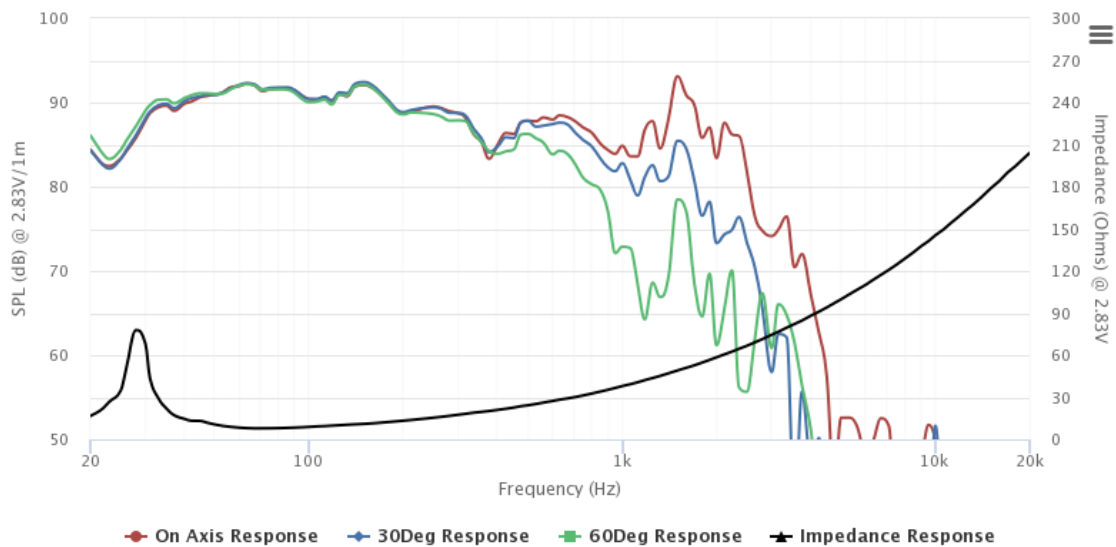
Mechanical Drawing



Specifications

DC Resistance	Revc	Ohms	6.18	5.0%	Energy Bandwidth Product	EBP	(1/Qes)*fs	
Minimum Impedance	Zmin	Ohms	7.86	7.5%	Moving Mass	Mms	g	206.2
Voice Coil Inductance	Le	mH	4.31		Suspension Compliance	Cms	um/N	131
Resonant Frequency	Fs	Hz	30.6	15%	Effective Cone diameter	D	cm	39.5
Mechanical Q Factor	Qms		12.86		Effective Piston Area	Sd	cm ²	1225.4
Electrical Q Factor	Qes		0.59		Effective Volume	Vas	L	278.5
Total Q Factor	Qts		0.56		Motor Force Factor	BL	Tm	20.41
Ratio Fs/Qts	F	Fs/Qts	54.35		Motor Efficiency Factor	β	(T*M ²)/Ohms	67.4
Half Space Sensitivity @2.83V	db@2.83V/1M	dB	91.83	+/- 1.0db	Voice coil former Material	VCfm		TIL
Half Space Sensitivity @1W/1M	db@1W/1M	dB	91.7	+/- 1.0db	Voice coil inner diameter	VCd	mm	75.7
Gap Height	Gh	mm	10		Rated Noise Power	P	W	700
Maximum Linear Excursion	Xmax	mm	9.4		Test Spectrum Bandwidth			40Hz -400Hz
Ferrofluid Type	FF				Driver Size	Inch		18 in
Driver Mass	Kg		7.5					

Frequency and Impedance Response



Highcharts.com