

Model No.: OC16SC00-04  
 Product Line: Tymphany

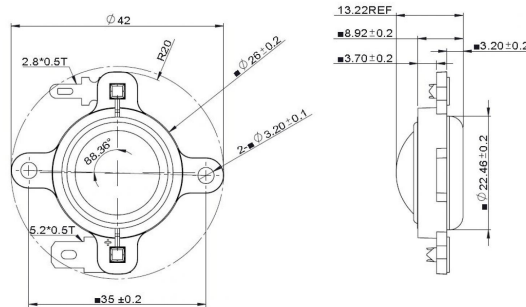
Rev: 1  
 Last Update: 2017-03-03 09:00:02

## Product Description

This OC family tweeter features a 16 mm 4 ohm voice coil, a damped fabric dome for smooth frequency response performance, and ferrofluid in the gap of the neodymium magnet motor, providing enhanced cooling of the voice coil. The tweeters butterfly comes with 2 mounting holes. The product is designed to fit snugly into small applications, while providing excellent dynamic sound quality.



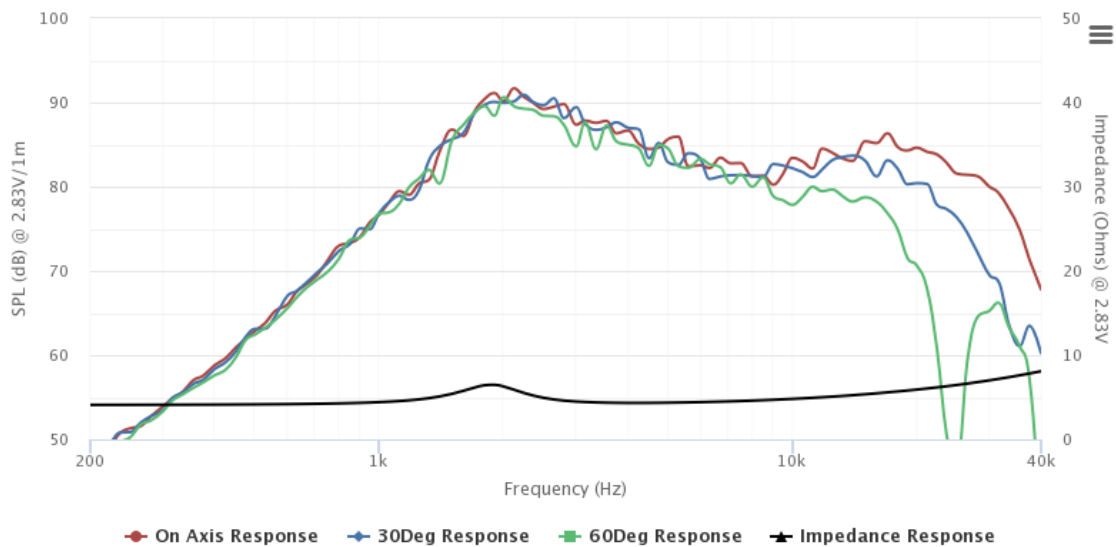
## Mechanical Drawing



## Specifications

DC Resistance	Revc	Ohms	3.93	5.0%	Energy Bandwidth Product	EBP	(1/Qes)*fs
Minimum Impedance	Zmin	Ohms	4.33	7.5%	Moving Mass	Mms	g
Voice Coil Inductance	Le	mH	0.02		Suspension Compliance	Cms	um/N
Resonant Frequency	Fs	Hz	1967.77	15%	Effective Cone diameter	D	cm
Mechanical Q Factor	Qms		2.62		Effective Piston Area	Sd	cm^2
Electrical Q Factor	Qes		4.04		Effective Volume	Vas	L
Total Q Factor	Qts		1.59		Motor Force Factor	BL	Tm
Ratio Fs/Qts	F	Fs/Qts	1236.81		Motor Efficiency Factor	β	(T*M^2)/Ohms
Half Space Sensitivity @2.83V	db@2.83V/1M	dB	85.45	+/- 1.0db	Voice coil former Material	VCfm	ASV
Half Space Sensitivity @1W/1M	db@1W/1M	dB	82.8	+/- 1.0db	Voice coil inner diameter	VCd	mm
Gap Height	Gh	mm	2		Rated Noise Power	P	W
Maximum Linear Excursion	Xmax	mm	0		Test Spectrum Bandwidth		2.5K-20K
Ferrofluid Type	FF		APG O27N		Driver Size	Inch	16 mm
Driver Mass	Kg		0.02				

## Frequency and Impedance Response



Highcharts.com