

Model No.: BC25TG35-04

Rev: 1

Product Line: Tymphany

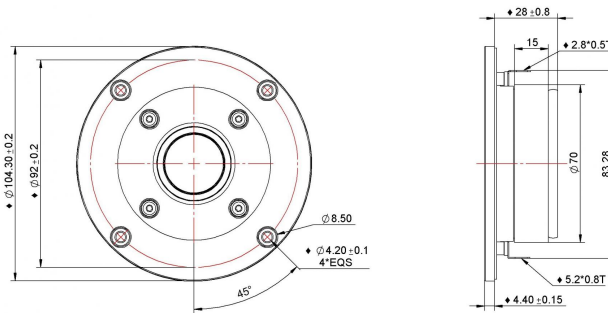
Last Update: 2017-03-03 09:00:02

Product Description

BC tweeter, 25 mm voice coil , fabric dome, ferrite motor, plastic faceplate, 4 ohm



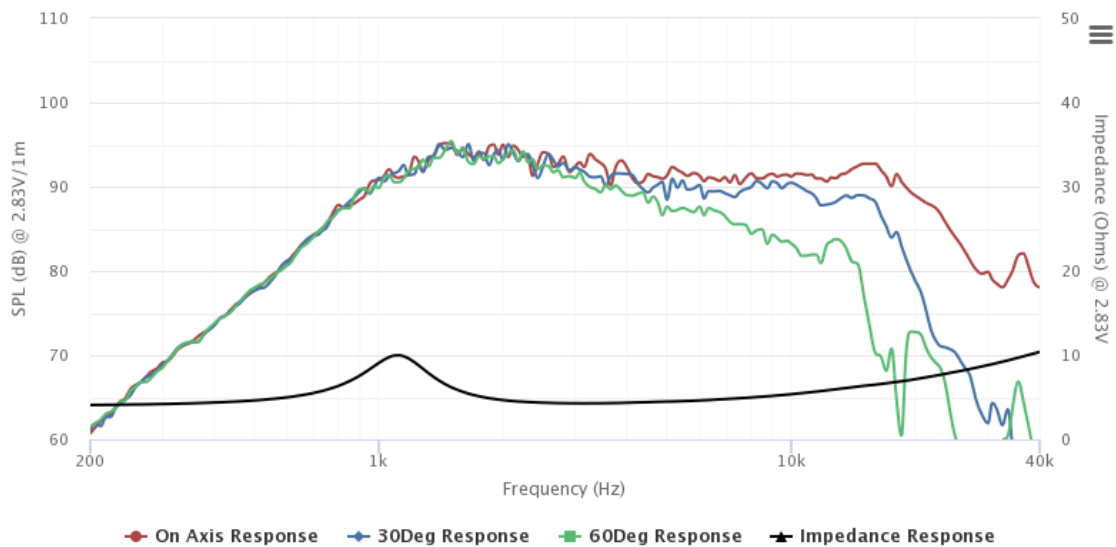
Mechanical Drawing



Specifications

DC Resistance	Revc	Ohms	3.07	5.0%	Energy Bandwidth Product	EBP	(1/Qes)*fs
Minimum Impedance	Zmin	Ohms	4.28	7.5%	Moving Mass	Mms	g
Voice Coil Inductance	Le	mH	0.02		Suspension Compliance	Cms	um/N
Resonant Frequency	Fs	Hz	1137.32	15%	Effective Cone diameter	D	cm
Mechanical Q Factor	Qms		2.43		Effective Piston Area	Sd	cm ²
Electrical Q Factor	Qes	1.34			Effective Volume	Vas	L
Total Q Factor	Qts		0.87		Motor Force Factor	BL	Tm
Ratio Fs/Qts	F	Fs/Qts	1314.82		Motor Efficiency Factor	β	(T*M ²)/Ohms
Half Space Sensitivity @2.83V	db@2.83V/1M	dB	92.97	+/- 1.0db	Voice coil former Material	VCfm	ASV
Half Space Sensitivity @1W/1M	db@1W/1M	dB	90.2	+/- 1.0db	Voice coil inner diameter	VCd	mm
Gap Height	Gh	mm	3		Rated Noise Power	P	W
Maximum Linear Excursion	Xmax	mm	0.6		Test Spectrum Bandwidth		2.5KHz -20KHz
Ferrofluid Type	FF				Driver Size	Inch	25 mm
Driver Mass	Kg		0.5				

Frequency and Impedance Response



Highcharts.com