

Model No.: SLS-250S38CP00-04

Rev: 1

Product Line: Tymphany

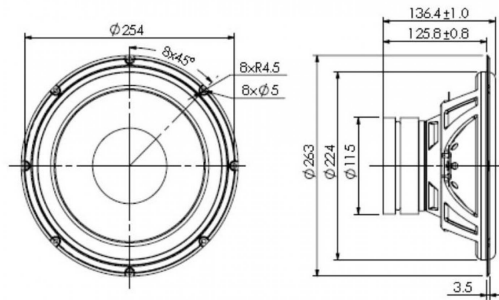
Last Update: 2017-03-03 09:00:02

## Product Description

SLS, woofer, 10inch, paper cone , steel basket,4ohm



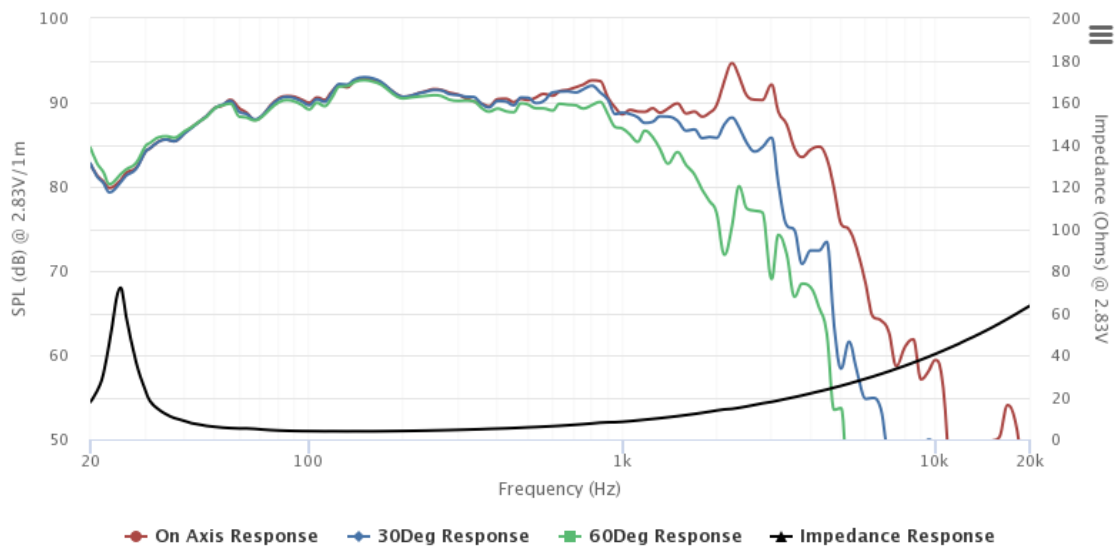
## Mechanical Drawing



## Specifications

DC Resistance	Revc	Ohms	3.4	5.0%	Energy Bandwidth Product	EBP	(1/Qes)*fs
Minimum Impedance	Zmin	Ohms	3.82	7.5%	Moving Mass	Mms	g
Voice Coil Inductance	Le	mH	0.69		Suspension Compliance	Cms	um/N
Resonant Frequency	Fs	Hz	26.9	15%	Effective Cone diameter	D	cm
Mechanical Q Factor	Qms		12.34		Effective Piston Area	Sd	cm^2
Electrical Q Factor	Qes		0.38		Effective Volume	Vas	L
Total Q Factor	Qts		0.37		Motor Force Factor	BL	Tm
Ratio Fs/Qts	F	Fs/Qts	72.12		Motor Efficiency Factor	β	(T*M^2)/Ohms
Half Space Sensitivity @2.83V	db@2.83V/1M	dB	92.1	+/- 1.0db	Voice coil former Material	VCfm	
Half Space Sensitivity @1W/1M	db@1W/1M	dB	88.9	+/- 1.0db	Voice coil inner diameter	VCd	mm
Gap Height	Gh	mm	8		Rated Noise Power	P	W
Maximum Linear Excursion	Xmax	mm	4.6		Test Spectrum Bandwidth		20Hz-20KHz
Ferrofluid Type	FF				Driver Size	Inch	10 in
Driver Mass	Kg		3.16				

## Frequency and Impedance Response



Highcharts.com