

Model No.: DX25TG49-04

Rev: 1

Product Line: Tymphany

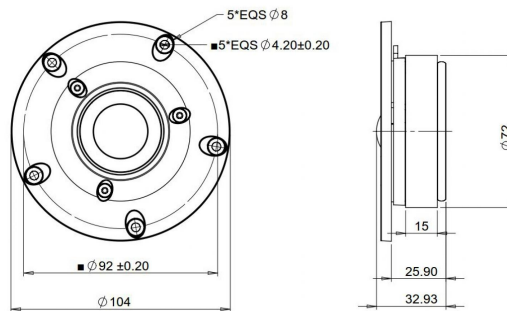
Last Update: 2018-04-21 02:35:10

Product Description

DX tweeter, 25 mm, fabric dome, ferrite motor, plastic basket, 4ohm.DX25TG09-04 with gasket



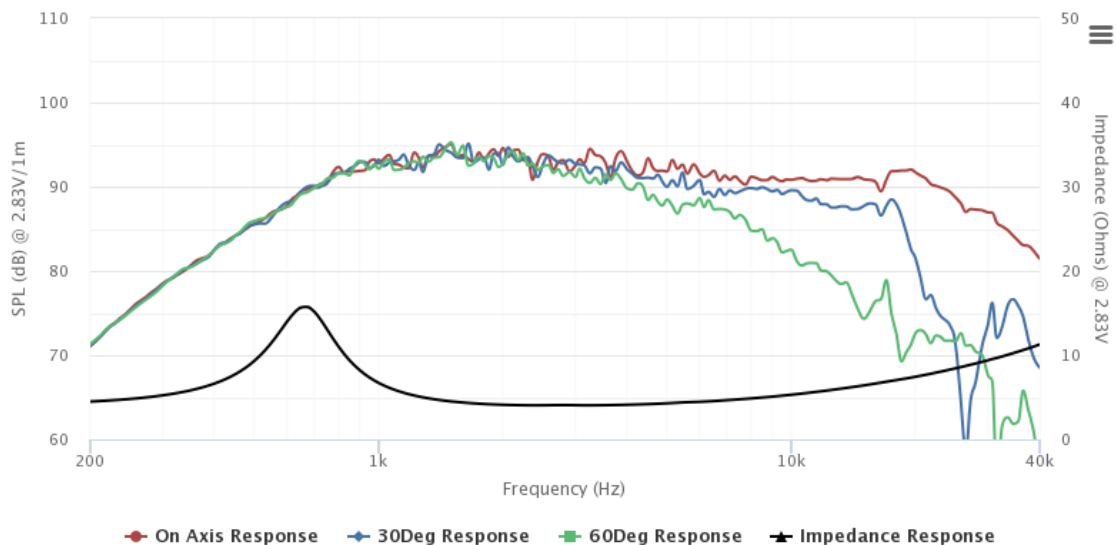
Mechanical Drawing



Specifications

DC Resistance	Revc	Ohms	3	5.0%	Energy Bandwidth Product	EBP	(1/Qes)*fs
Minimum Impedance	Zmin	Ohms	4.04	7.5%	Moving Mass	Mms	g
Voice Coil Inductance	Le	mH	0.02		Suspension Compliance	Cms	um/N
Resonant Frequency	Fs	Hz	684.57	15%	Effective Cone diameter	D	cm
Mechanical Q Factor	Qms		2.38		Effective Piston Area	Sd	cm^2
Electrical Q Factor	Qes		0.71		Effective Volume	Vas	L
Total Q Factor	Qts		0.55		Motor Force Factor	BL	Tm
Ratio Fs/Qts	F	Fs/Qts	1253.8		Motor Efficiency Factor	β	(T*M^2)/Ohms
Half Space Sensitivity @2.83V	db@2.83V/1M	dB	93.59	+/- 1.0db	Voice coil former Material	VCfm	ASV
Half Space Sensitivity @1W/1M	db@1W/1M	dB	90.6	+/- 1.0db	Voice coil inner diameter	VCd	mm
Gap Height	Gh	mm	2.5		Rated Noise Power	P	W
Maximum Linear Excursion	Xmax	mm	0.2		Test Spectrum Bandwidth		2.5KHz -20KHz
Ferrofluid Type	FF				Driver Size	Inch	25 mm
Driver Mass	Kg		0.5				

Frequency and Impedance Response



Highcharts.com