

Model No.: PMT-18N12AL03-04

Rev: 1

Product Line: Tymphany

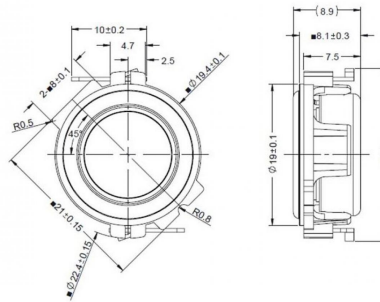
Last Update: 2017-09-18 05:31:52

Product Description

The PMT family of micro full range drivers features an ultra compact NdFeB magnet motors, a large excursion spiderless suspension system and Aluminium diaphragms for wide bandwidth. PMT micro drivers are a perfect choice for applications such as compact Bluetooth speakers and conference telephone/handsets.



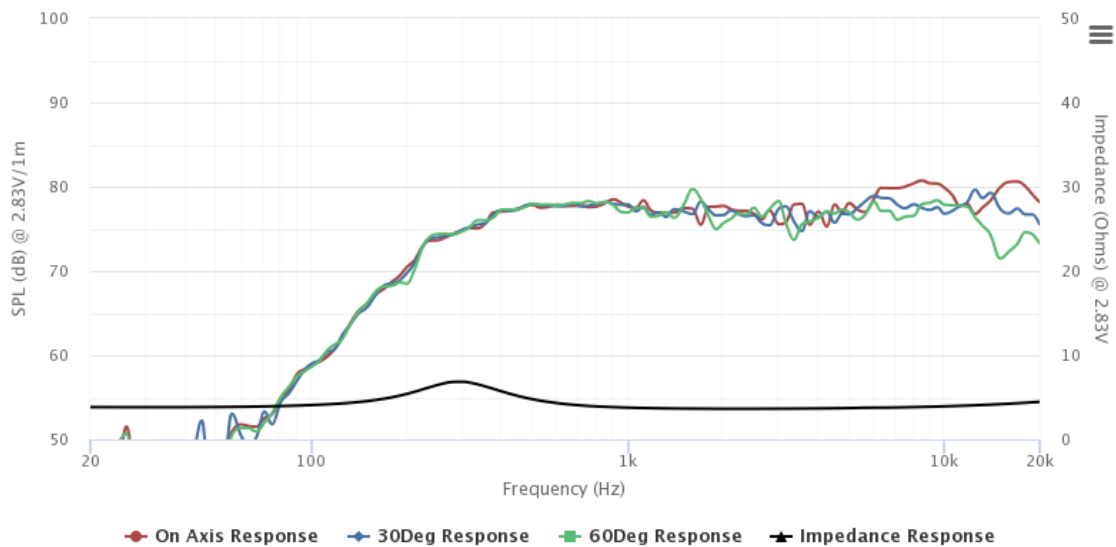
Mechanical Drawing



Specifications

DC Resistance	Revc	Ohms	3.39	5.0%	Energy Bandwidth Product	EBP	(1/Qes)*fs
Minimum Impedance	Zmin	Ohms	3.63	7.5%	Moving Mass	Mms	g
Voice Coil Inductance	Le	mH	0.03		Suspension Compliance	Cms	um/N
Resonant Frequency	Fs	Hz	389.15	15%	Effective Cone diameter	D	cm
Mechanical Q Factor	Qms		1.49		Effective Piston Area	Sd	cm^2
Electrical Q Factor	Qes		1.96		Effective Volume	Vas	L
Total Q Factor	Qts		0.84		Motor Force Factor	BL	Tm
Ratio Fs/Qts	F	Fs/Qts	464.66		Motor Efficiency Factor	β	(T*M^2)/Ohms
Half Space Sensitivity @2.83V	db@2.83V/1M	dB	77.22	+/- 1.0db	Voice coil former Material	VCfm	Kapton
Half Space Sensitivity @1W/1M	db@1W/1M	dB	73.8	+/- 1.0db	Voice coil inner diameter	VCd	mm
Gap Height	Gh	mm	1		Rated Noise Power	P	W
Maximum Linear Excursion	Xmax	mm	0.4		Test Spectrum Bandwidth		350-20kHz
Ferrofluid Type	FF		APG834		Driver Size	Inch	18 mm
Driver Mass	Kg		0.01				

Frequency and Impedance Response



Highcharts.com