

Model No.: FSL-1830R09-08

Rev: 1

Product Line: Tymphany

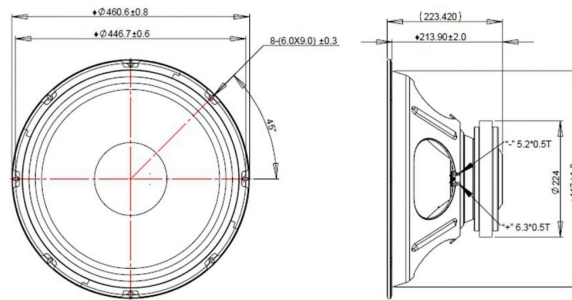
Last Update: 2017-12-07 05:11:16

Product Description

This 18 inch 8 ohm speaker features a FEA optimized ferrite magnet motor, 3inch voice coil, cloth surround, paper cone, a vented yoke for motor cooling, and a high strength stamped steel frame. Kevlar loaded non-pressed paper cone to help dampen and control cone resonance. The multi-roll surround and spider have been optimized to reduce distortion over the excursion range of this transducer.



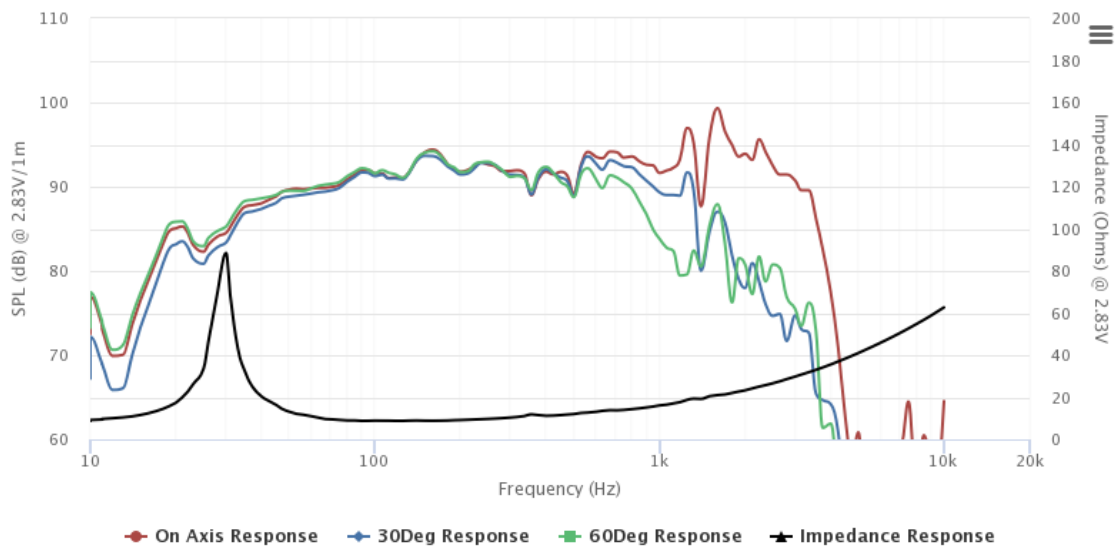
Mechanical Drawing



Specifications

DC Resistance	Revc	Ohms	7.36	5.0%	Energy Bandwidth Product	EBP	(1/Qes)*fs
Minimum Impedance	Zmin	Ohms	8.8	7.5%	Moving Mass	Mms	g
Voice Coil Inductance	Le	mH	1.55		Suspension Compliance	Cms	um/N
Resonant Frequency	Fs	Hz	31.72	15%	Effective Cone diameter	D	cm
Mechanical Q Factor	Qms		13.4		Effective Piston Area	Sd	cm ²
Electrical Q Factor	Qes	0.6			Effective Volume	Vas	L
Total Q Factor	Qts	0.58			Motor Force Factor	BL	Tm
Ratio Fs/Qts	F	Fs/Qts	54.41		Motor Efficiency Factor	β	(T*M ²)/Ohms
Half Space Sensitivity @2.83V	db@2.83V/1M	dB	91.56	+/- 1.0db	Voice coil former Material	VCfm	TIL-P
Half Space Sensitivity @1W/1M	db@1W/1M	dB	92	+/- 1.0db	Voice coil inner diameter	VCd	mm
Gap Height	Gh	mm	10		Rated Noise Power	P	W
Maximum Linear Excursion	Xmax	mm	12.6		Test Spectrum Bandwidth	Fo-400 Hz	
Ferrofluid Type	FF				Driver Size	Inch	18 in
Driver Mass	Kg	12.02					

Frequency and Impedance Response



Highcharts.com