

Model No.: SBS-200F38PR01-04

Rev: 1

Product Line: Tymphany

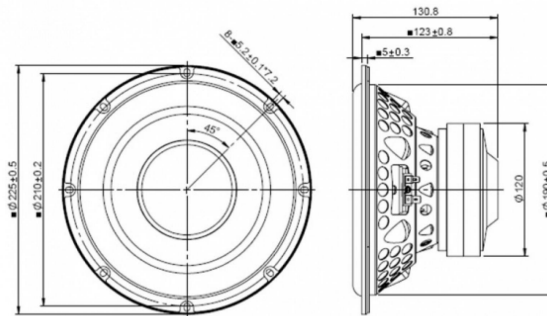
Last Update: 2018-04-23 02:13:24

## Product Description

This 8 inch 4 ohm subwoofer is a member of the new SBS product family. It features a paper cone, NBR surround, steel basket, and a double ferrite magnet motor. This product offers high power handling capacity, geared towards operation in smaller sealed, powered systems.



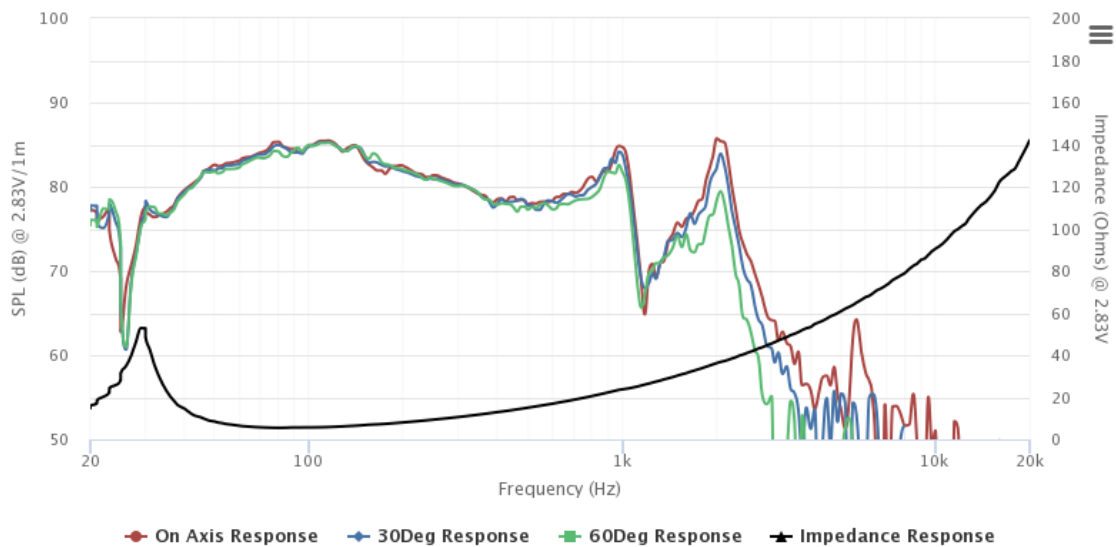
## Mechanical Drawing



## Specifications

DC Resistance	Revc	Ohms	3.63	5.0%	Energy Bandwidth Product	EBP	(1/Qes)*fs
Minimum Impedance	Zmin	Ohms	5.5	7.5%	Moving Mass	Mms	g
Voice Coil Inductance	Le	mH	1.16		Suspension Compliance	Cms	um/N
Resonant Frequency	Fs	Hz	31.23	15%	Effective Cone diameter	D	cm
Mechanical Q Factor	Qms		5.35		Effective Piston Area	Sd	cm <sup>2</sup>
Electrical Q Factor	Qes	0.43			Effective Volume	Vas	L
Total Q Factor	Qts	0.4			Motor Force Factor	BL	Tm
Ratio Fs/Qts	F	Fs/Qts	78.26		Motor Efficiency Factor	β	(T*M <sup>2</sup> )/Ohms
Half Space Sensitivity @2.83V	db@2.83V/1M	dB	84.96	+/- 1.0db	Voice coil former Material	VCfm	ASV
Half Space Sensitivity @1W/1M	db@1W/1M	dB	83.3	+/- 1.0db	Voice coil inner diameter	VCd	mm
Gap Height	Gh	mm	8		Rated Noise Power	P	W
Maximum Linear Excursion	Xmax	mm	11.3		Test Spectrum Bandwidth		20Hz-1KHz
Ferrofluid Type	FF				Driver Size	Inch	8 in
Driver Mass	Kg	2.96					

## Frequency and Impedance Response



Highcharts.com