

Model No.: SBS-250P00AL01-00

Rev: 1

Product Line: Tymphany

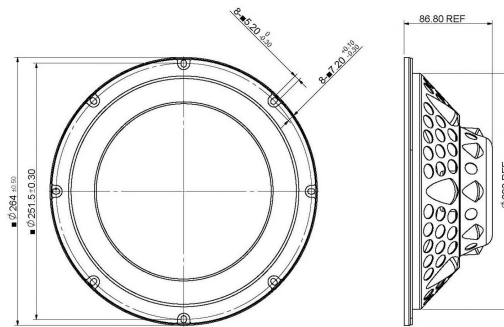
Last Update: 2018-04-23 02:18:03

## Product Description

This 10 inch passive radiator, a member of the new SBS product family, features a black anodized aluminium cone with inverted rubber surround, offering a unique visual appearance, and a rigid steel basket. The product was designed to work in smaller sealed, high powered systems, matching up with the corresponding SBS driver to offer a balanced systems solution.



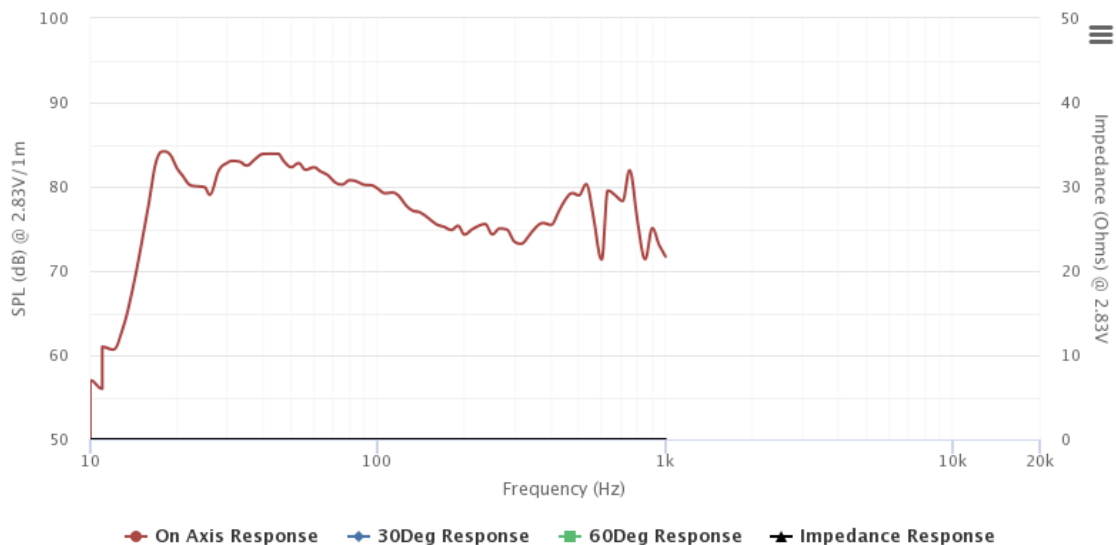
## Mechanical Drawing



## Specifications

DC Resistance	Revc	Ohms	0	5.0%	Energy Bandwidth Product	EBP	(1/Qes)*fs	
Minimum Impedance	Zmin	Ohms	0	7.5%	Moving Mass	Mms	g	283
Voice Coil Inductance	Le	mH	0		Suspension Compliance	Cms	um/N	186.6
Resonant Frequency	Fs	Hz	0	15%	Effective Cone diameter	D	cm	20
Mechanical Q Factor	Qms		0		Effective Piston Area	Sd	cm^2	314.2
Electrical Q Factor	Qes		0		Effective Volume	Vas	L	0
Total Q Factor	Qts		0		Motor Force Factor	BL	Tm	0
Ratio Fs/Qts	F	Fs/Qts			Motor Efficiency Factor	β	(T*M^2)/Ohms	
Half Space Sensitivity @2.83V	db@2.83V/1M	dB	28.96	+/- 1.0db	Voice coil former Material	VCfm		
Half Space Sensitivity @1W/1M	db@1W/1M	dB	0	+/- 1.0db	Voice coil inner diameter	VCd	mm	0
Gap Height	Gh	mm	0		Rated Noise Power	P	W	0
Maximum Linear Excursion	Xmax	mm	0		Test Spectrum Bandwidth			
Ferrofluid Type	FF				Driver Size	Inch	10 in	
Driver Mass	Kg		0.74					

## Frequency and Impedance Response



Highcharts.com