

Model No.: PLS-TPY02F04O0091

Rev: 1

Product Line: Tymphany

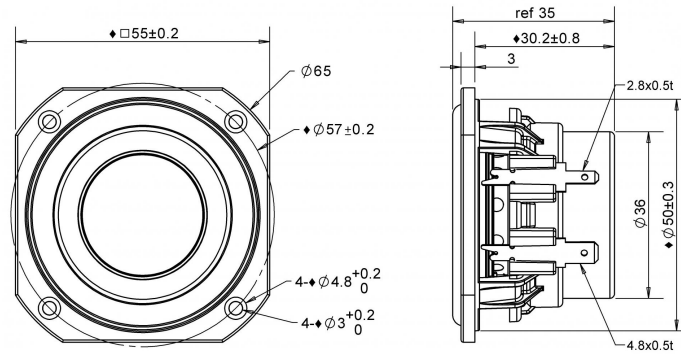
Last Update: 2018-04-23 02:19:54

Product Description

This 2 inch 4 ohm full-range driver is intended for applications such as television soundbars and compact music systems. Design features include a damped plastic basket with venting under the spider to aid cooling of the motor, a neodymium magnet motor with copper cap to lower coil inductance, providing low distortion at low frequencies and extended high frequency response. An aluminium cone is employed on the driver, along with an aluminium dust cap coupled directly to the voice coil. Additionally, the cones come equipped with large roll rubber surrounds, which allow for a dynamic linear response under high excursion.



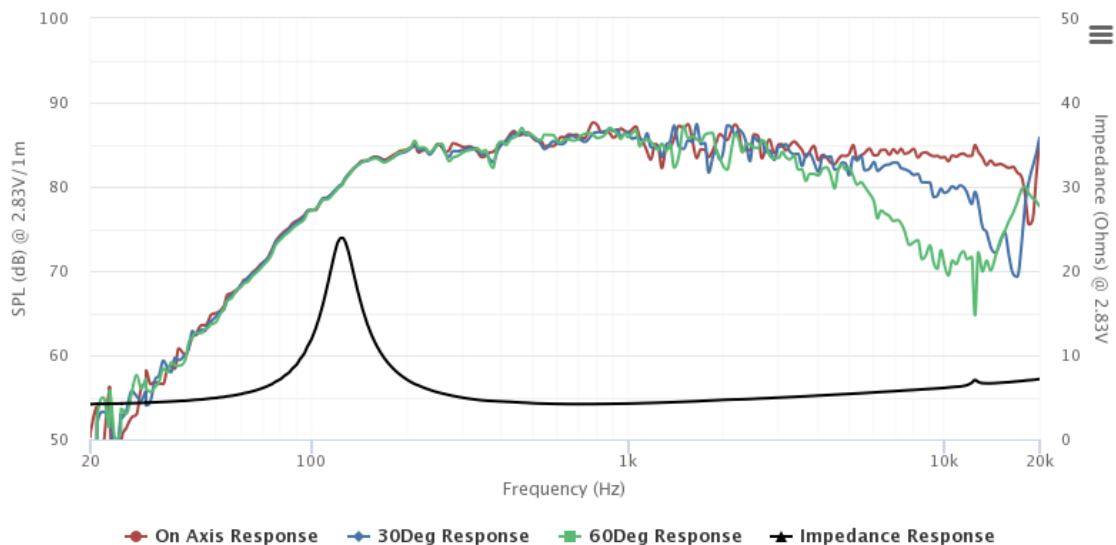
Mechanical Drawing



Specifications

DC Resistance	Revc	Ohms	3.18	5.0%	Energy Bandwidth Product	EBP	(1/Qes) ^f fs
Minimum Impedance	Zmin	Ohms	4.19	7.5%	Moving Mass	Mms	g
Voice Coil Inductance	Le	mH	0.03		Suspension Compliance	Cms	um/N
Resonant Frequency	Fs	Hz	139.86	15%	Effective Cone diameter	D	cm
Mechanical Q Factor	Qms		4.46		Effective Piston Area	Sd	cm ²
Electrical Q Factor	Qes		0.63		Effective Volume	Vas	L
Total Q Factor	Qts		0.55		Motor Force Factor	BL	Tm
Ratio Fs/Qts	F	Fs/Qts	254.76		Motor Efficiency Factor	β	(T*M ²)/Ohms
Half Space Sensitivity @2.83V	db@2.83V/1M	dB	86.01	+/- 1.0db	Voice coil former Material	VCfm	ASV
Half Space Sensitivity @1W/1M	db@1W/1M	dB	83.2	+/- 1.0db	Voice coil inner diameter	VCd	mm
Gap Height	Gh	mm	3		Rated Noise Power	P	W
Maximum Linear Excursion	Xmax	mm	1		Test Spectrum Bandwidth		150Hz-20KHz
Ferrofluid Type	FF		N/A		Driver Size		Inch
Driver Mass	Kg		0.14				2 in

Frequency and Impedance Response



Highcharts.com