

Model No.: XT25SG60-04

Rev: 1

Product Line: Tymphany

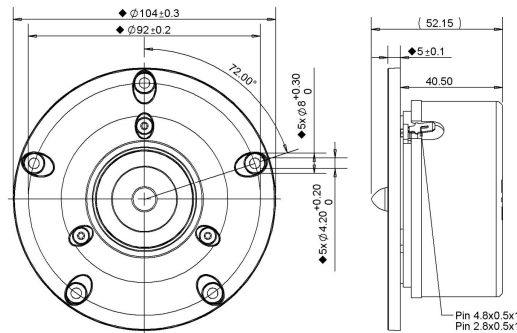
Last Update: 2018-04-23 02:21:24

Product Description

This member of the XT tweeter family utilizes two Tymphany technologies to deliver exceptional sound quality: the ring radiator patent, and the central waveguide patent. This model features a 4 ohm 25 mm voice coil, mounted in a shielded ferrite magnet motor. The tweeter also features a rear chamber to create extended low frequency response. The faceplate features recessed mounting holes which minimizes reflections off of mounting screws.



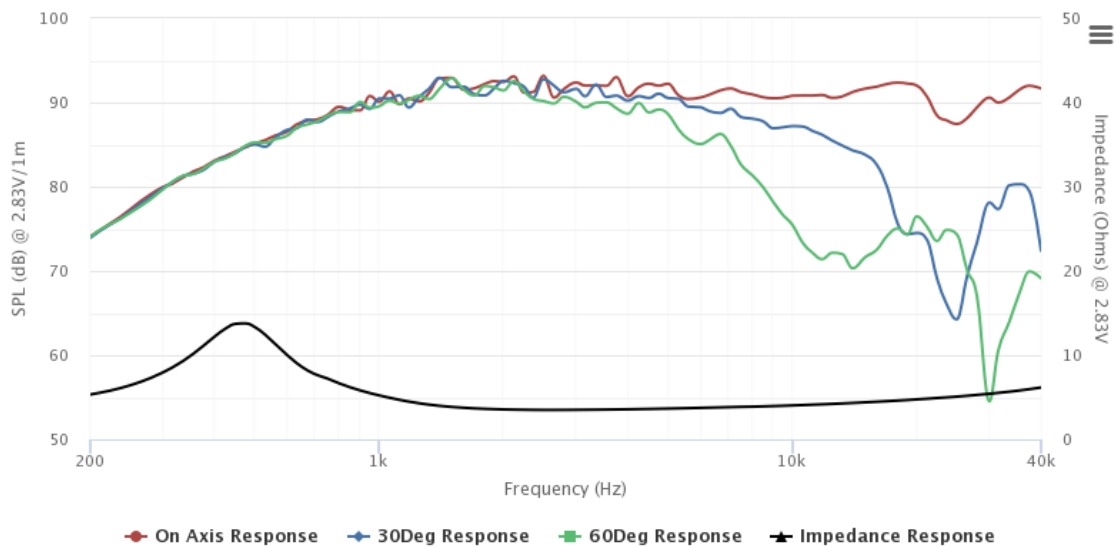
Mechanical Drawing



Specifications

DC Resistance	Revc	Ohms	2.75	5.0%	Energy Bandwidth Product	EBP	(1/Qes)*fs	
Minimum Impedance	Zmin	Ohms	3.5	7.5%	Moving Mass	Mms	g	0.4
Voice Coil Inductance	Le	mH	0.01		Suspension Compliance	Cms	um/N	258.5
Resonant Frequency	Fs	Hz	519.6	15%	Effective Cone diameter	D	cm	3.2
Mechanical Q Factor	Qms		1.59		Effective Piston Area	Sd	cm ²	8
Electrical Q Factor	Qes		0.47		Effective Volume	Vas	L	0.02
Total Q Factor	Qts		0.36		Motor Force Factor	BL	Tm	2.64
Ratio Fs/Qts	F	Fs/Qts	1443.33		Motor Efficiency Factor	β	(T*M ²)/Ohms	2.5
Half Space Sensitivity @2.83V	db@2.83V/1M	dB	91.79	+/- 1.0db	Voice coil former Material	VCfm		ASV
Half Space Sensitivity @1W/1M	db@1W/1M	dB	88.2	+/- 1.0db	Voice coil inner diameter	VCd	mm	25.76
Gap Height	Gh	mm	2		Rated Noise Power	P	W	130
Maximum Linear Excursion	Xmax	mm	0.1		Test Spectrum Bandwidth			2.5kHz - 20kHz
Ferrofluid Type	FF				Driver Size	Inch		25 mm
Driver Mass	Kg		0.88					

Frequency and Impedance Response



Highcharts.com