

Model No.: H26TG05-06

Rev: 1

Product Line: Tymphany

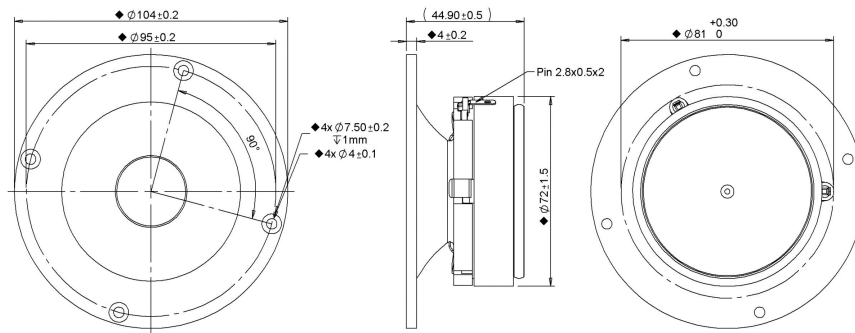
Last Update: 2018-04-23 01:45:55

## Product Description

This H family tweeter features an 25 mm 6 ohm voice coil, a treated silk dome, and a ferrofluid-cooled ferrite motor. The large motor allows for robust power handling capacity. The tweeter comes with a faceplate with recessed mounting holes, for easy installation into the desired application. The faceplate has a horn geometry for increased sensitivity.



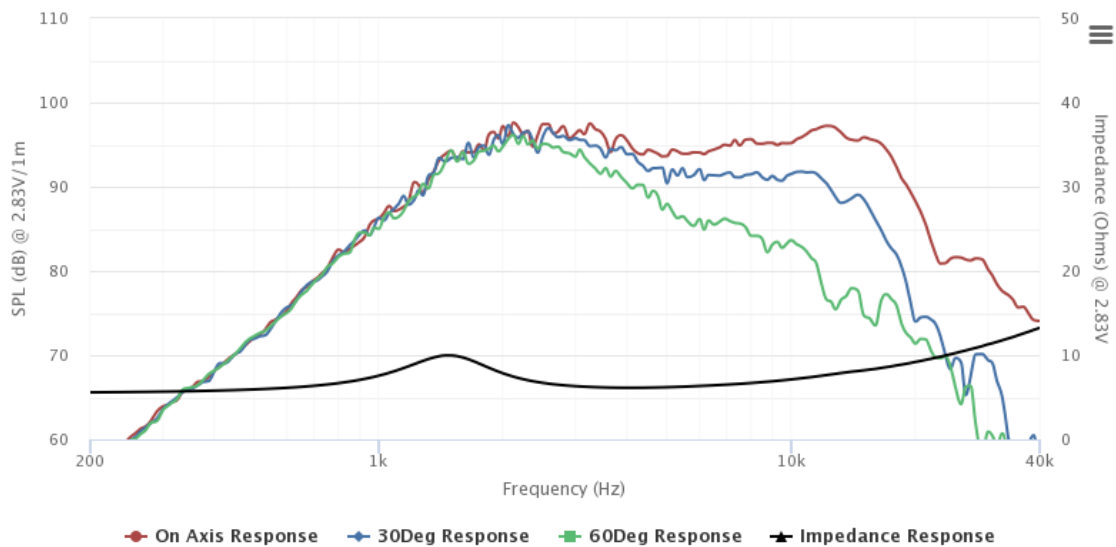
## Mechanical Drawing



## Specifications

DC Resistance	Revc	Ohms	4.86	5.0%	Energy Bandwidth Product	EBP	(1/Qes)*fs
Minimum Impedance	Zmin	Ohms	6.13	7.5%	Moving Mass	Mms	g
Voice Coil Inductance	Le	mH	0.03		Suspension Compliance	Cms	um/N
Resonant Frequency	Fs	Hz	1481.63	15%	Effective Cone diameter	D	cm
Mechanical Q Factor	Qms		1.63		Effective Piston Area	Sd	cm <sup>2</sup>
Electrical Q Factor	Qes		1.82		Effective Volume	Vas	L
Total Q Factor	Qts		0.86		Motor Force Factor	BL	Tm
Ratio Fs/Qts	F	Fs/Qts	1720.82		Motor Efficiency Factor	β	(T*M <sup>2</sup> )/Ohms
Half Space Sensitivity @2.83V	db@2.83V/1M	dB	94.79	+/- 1.0db	Voice coil former Material	VCfm	ASV
Half Space Sensitivity @1W/1M	db@1W/1M	dB	93.6	+/- 1.0db	Voice coil inner diameter	Vcd	mm
Gap Height	Gh	mm	2.5		Rated Noise Power	P	W
Maximum Linear Excursion	Xmax	mm	0.5		Test Spectrum Bandwidth		2.5KHz-20KHz
Ferrofluid Type	FF		APG834		Driver Size	Inch	25 mm
Driver Mass	Kg		0.52				

## Frequency and Impedance Response



Highcharts.com