

Model No.: NCP-1230R01-08  
 Product Line: Tymphany

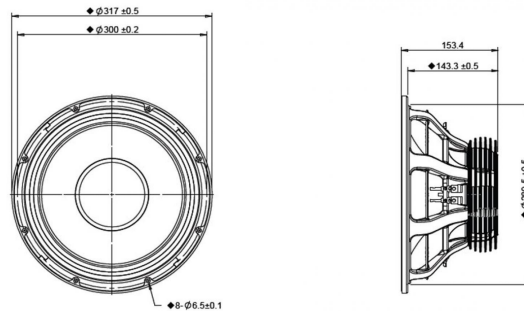
Rev: 1  
 Last Update: 2018-04-10 08:11:59

## Product Description

This 12 inch 8 ohm speaker features a FEA optimized Neo magnet motor, a 3in high-temperature aluminum wire voice coil, and a high strength cast aluminum frame, specially designed motor cooling system incorporate with the cast aluminum heatsink can dramatically increase the power handling and reduce the power compression, the multi-roll surround and spider have been optimized to reduce distortion over the excursion range of this transducer.



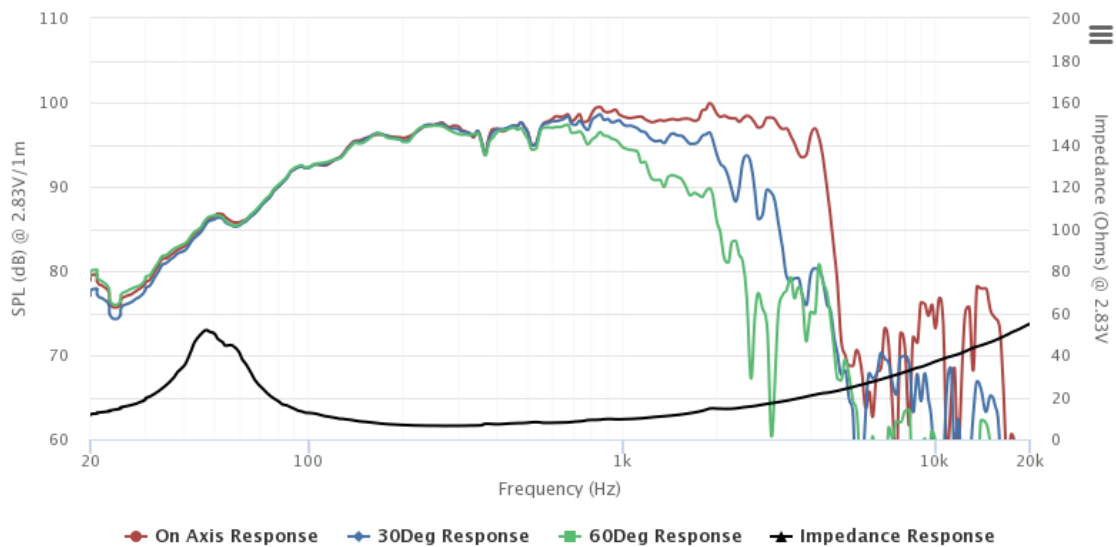
## Mechanical Drawing



## Specifications

DC Resistance	Revc	Ohms	5.3	5.0%	Energy Bandwidth Product	EBP	(1/Qes)*fs
Minimum Impedance	Zmin	Ohms	6.44	7.5%	Moving Mass	Mms	g
Voice Coil Inductance	Le	mH	0.73		Suspension Compliance	Cms	um/N
Resonant Frequency	Fs	Hz	52	15%	Effective Cone diameter	D	cm
Mechanical Q Factor	Qms		4.1		Effective Piston Area	Sd	cm <sup>2</sup>
Electrical Q Factor	Qes		0.32		Effective Volume	Vas	L
Total Q Factor	Qts		0.29		Motor Force Factor	BL	Tm
Ratio Fs/Qts	F	Fs/Qts	179.31		Motor Efficiency Factor	$\beta$	(T*M <sup>2</sup> )/Ohms
Half Space Sensitivity @2.83V	db@2.83V/1M	dB	97.35	+/- 1.0db	Voice coil former Material	VCfm	TGL
Half Space Sensitivity @1W/1M	db@1W/1M	dB	96.4	+/- 1.0db	Voice coil inner diameter	VCd	mm
Gap Height	Gh	mm	10		Rated Noise Power	P	W
Maximum Linear Excursion	Xmax	mm	7.1		Test Spectrum Bandwidth		60-600Hz
Ferrofluid Type	FF				Driver Size	Inch	12 in
Driver Mass	Kg		4.4				

## Frequency and Impedance Response



Highcharts.com