

Model No.: NCP-1540R01-08
 Product Line: Tymphany

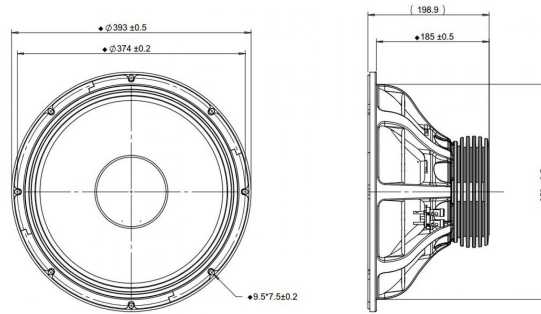
Rev: 1
 Last Update: 2018-04-10 08:25:22

Product Description

This 15 inch 8 ohm speaker features a FEA optimized Neo magnet motor, a 4in high-temperature CCAW voice coil, and a high strength cast aluminum frame, specially designed motor cooling system incorporate with the cast aluminum heatsink can dramatically increase the power handling and reduce the power compression, the multi-roll surround and spider have been optimized to reduce distortion over the excursion range of this transducer.



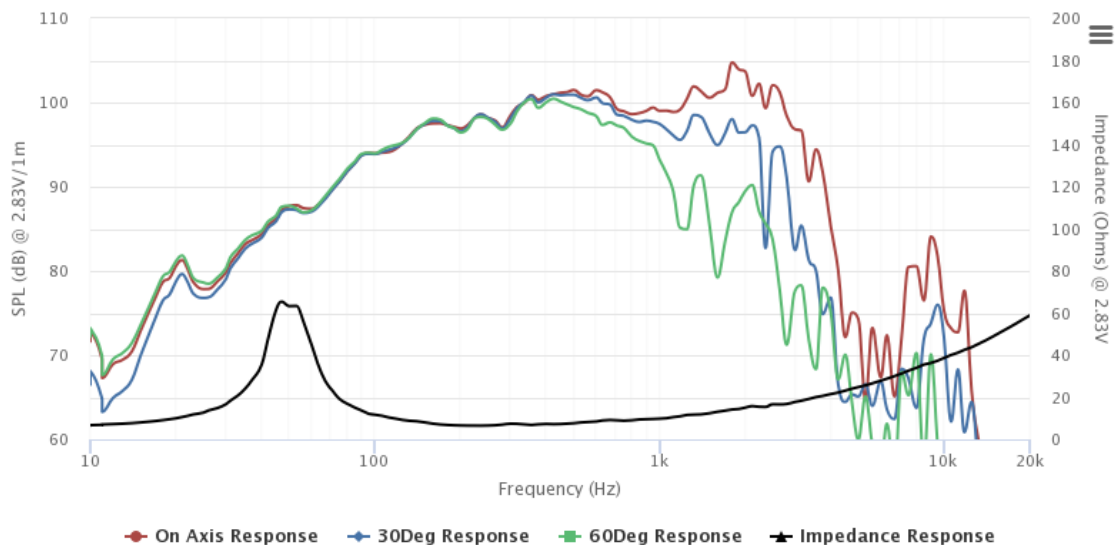
Mechanical Drawing



Specifications

DC Resistance	Revc	Ohms	5.1	5.0%	Energy Bandwidth Product	EBP	(1/Qes)*fs
Minimum Impedance	Zmin	Ohms	6.52	7.5%	Moving Mass	Mms	g
Voice Coil Inductance	Le	mH	0.75		Suspension Compliance	Cms	um/N
Resonant Frequency	Fs	Hz	42	15%	Effective Cone diameter	D	cm
Mechanical Q Factor	Qms		4.5		Effective Piston Area	Sd	cm^2
Electrical Q Factor	Qes		0.23		Effective Volume	Vas	L
Total Q Factor	Qts		0.22		Motor Force Factor	BL	Tm
Ratio Fs/Qts	F	Fs/Qts	190.91		Motor Efficiency Factor	β	(T*M^2)/Ohms
Half Space Sensitivity @2.83V	db@2.83V/1M	dB	98.01	+/- 1.0db	Voice coil former Material	VCfm	TGL
Half Space Sensitivity @1W/1M	db@1W/1M	dB	97.1	+/- 1.0db	Voice coil inner diameter	VCd	mm
Gap Height	Gh	mm	12		Rated Noise Power	P	W
Maximum Linear Excursion	Xmax	mm	7		Test Spectrum Bandwidth		50Hz -500Hz
Ferofluid Type	FF				Driver Size	Inch	15 in
Driver Mass	Kg		7.2				

Frequency and Impedance Response



Highcharts.com