

Model No.: GBS-85N25PR07-04

Rev: 1

Product Line: Tymphany

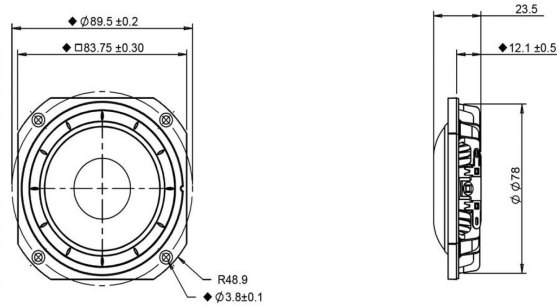
Last Update: 2018-04-10 08:47:59

Product Description

GBS 3.5inch woofer. 4Ohm, Paper cone, rubber surround, with Neo magnets . 6 layers voice coil.



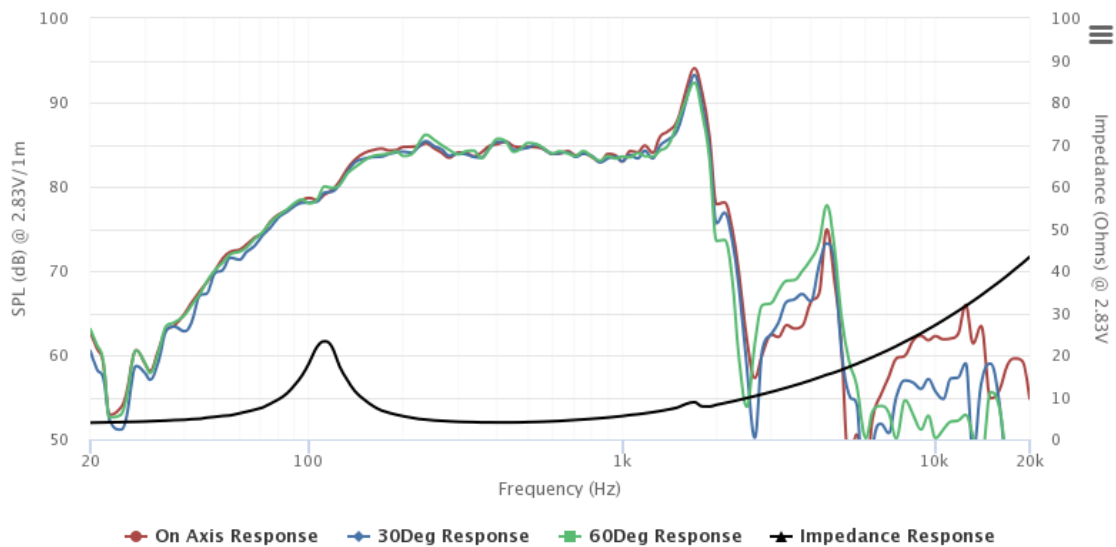
Mechanical Drawing



Specifications

DC Resistance	Revc	Ohms	3.47	5.0%	Energy Bandwidth Product	EBP	(1/Qes)*fs
Minimum Impedance	Zmin	Ohms	4.02	7.5%	Moving Mass	Mms	g
Voice Coil Inductance	Le	mH	0.35		Suspension Compliance	Cms	um/N
Resonant Frequency	Fs	Hz	133.32	15%	Effective Cone diameter	D	cm
Mechanical Q Factor	Qms		4.75		Effective Piston Area	Sd	cm ²
Electrical Q Factor	Qes	0.77			Effective Volume	Vas	L
Total Q Factor	Qts		0.66		Motor Force Factor	BL	Tm
Ratio Fs/Qts	F	Fs/Qts	202		Motor Efficiency Factor	β	(T*M ²)/Ohms
Half Space Sensitivity @2.83V	db@2.83V/1M	dB	84.95	+/- 1.0db	Voice coil former Material	VCfm	ASV
Half Space Sensitivity @1W/1M	db@1W/1M	dB	82	+/- 1.0db	Voice coil inner diameter	VCd	mm
Gap Height	Gh	mm	3		Rated Noise Power	P	W
Maximum Linear Excursion	Xmax	mm	1.7		Test Spectrum Bandwidth		100-800Hz
Ferrofluid Type	FF				Driver Size	Inch	3.5 in
Driver Mass	Kg		0.13				

Frequency and Impedance Response



Highcharts.com