

Model No.: SBS-200F35AL01-04

Rev: 1

Product Line: Tymphany

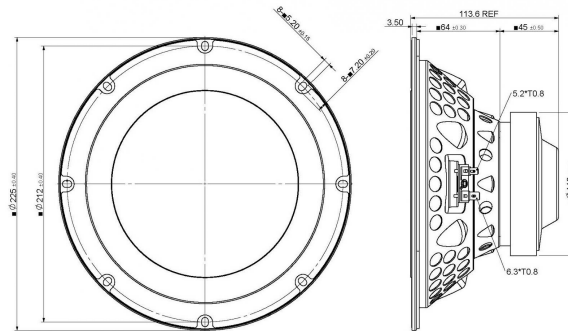
Last Update: 2018-04-25 01:03:00

## Product Description

This is 8 inch 4 ohm subwoofer is a member of the new SBS product family. This driver features a black anodized aluminum cone, inverted rubber surround, ferrite magnet, and steel basket. It is designed for high excursion applications.



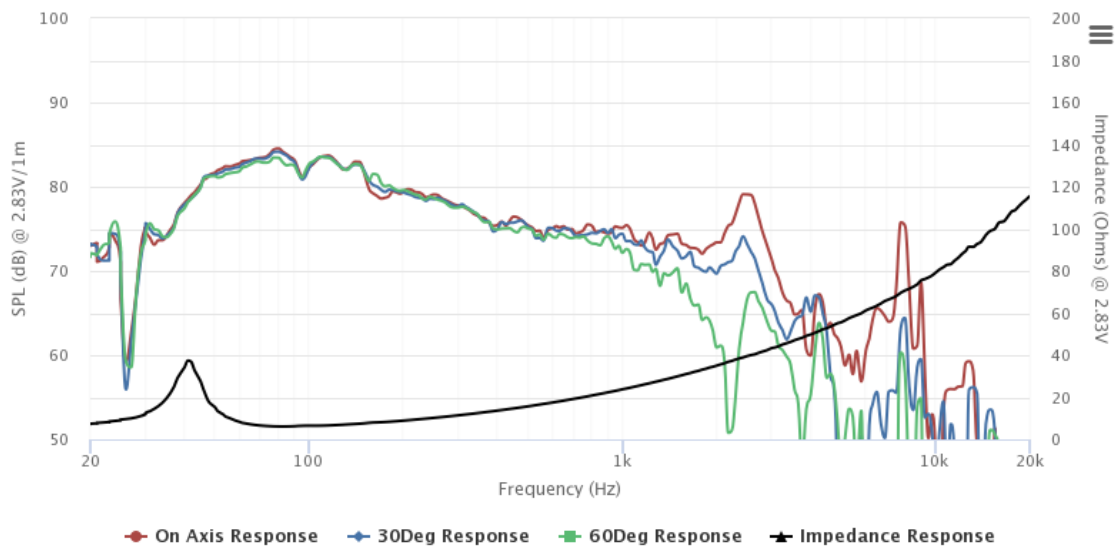
## Mechanical Drawing



## Specifications

DC Resistance	Revc	Ohms	3.97	5.0%	Energy Bandwidth Product	EBP	(1/Qes)*fs
Minimum Impedance	Zmin	Ohms	6.13	7.5%	Moving Mass	Mms	g
Voice Coil Inductance	Le	mH	0.96		Suspension Compliance	Cms	um/N
Resonant Frequency	Fs	Hz	44.29	15%	Effective Cone diameter	D	cm
Mechanical Q Factor	Qms		6.38		Effective Piston Area	Sd	cm <sup>2</sup>
Electrical Q Factor	Qes		0.78		Effective Volume	Vas	L
Total Q Factor	Qts		0.69		Motor Force Factor	BL	Tm
Ratio Fs/Qts	F	Fs/Qts	63.9		Motor Efficiency Factor	β	(T*M <sup>2</sup> )/Ohms
Half Space Sensitivity @2.83V	db@2.83V/1M	dB	84.1	+/- 1.0db	Voice coil former Material	VCfm	ASV
Half Space Sensitivity @1W/1M	db@1W/1M	dB	82.9	+/- 1.0db	Voice coil inner diameter	VCd	mm
Gap Height	Gh	mm	8		Rated Noise Power	P	W
Maximum Linear Excursion	Xmax	mm	9.1		Test Spectrum Bandwidth		40Hz-500Hz
Ferrofluid Type	FF				Driver Size	Inch	8 in
Driver Mass	Kg		2.18				

## Frequency and Impedance Response



Highcharts.com