

Model No.: SBS-200F35CP01-04

Rev: 1

Product Line: Tymphany

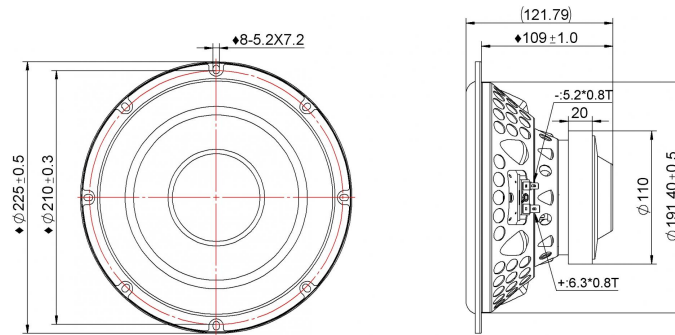
Last Update: 2018-04-25 00:55:33

Product Description

This is a 8inch 4ohm subwoofer, a member of the new SBS product family. This driver features a coated paper cone, with a ferrite magnet and steel basket. Is designed to be a long excursion and high performance driver, . The driver effective frequency response is between 40Hz to 500Hz.



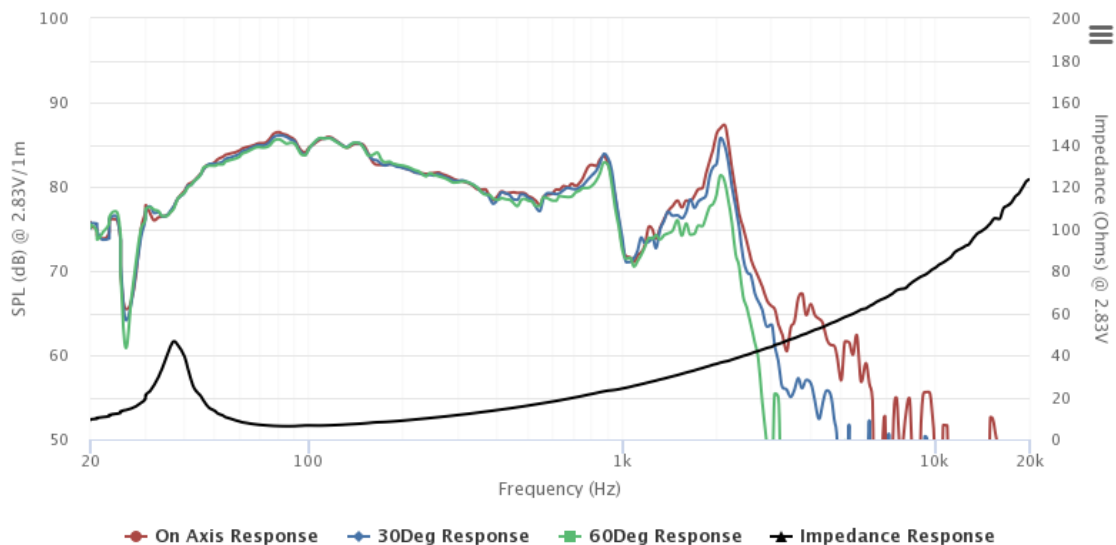
Mechanical Drawing



Specifications

DC Resistance	Revc	Ohms	4.04	5.0%	Energy Bandwidth Product	EBP	(1/Qes)*fs
Minimum Impedance	Zmin	Ohms	6.27	7.5%	Moving Mass	Mms	g
Voice Coil Inductance	Le	mH	1.02		Suspension Compliance	Cms	um/N
Resonant Frequency	Fs	Hz	40.5	15%	Effective Cone diameter	D	cm
Mechanical Q Factor	Qms		5.25		Effective Piston Area	Sd	cm ²
Electrical Q Factor	Qes	0.58			Effective Volume	Vas	L
Total Q Factor	Qts	0.52			Motor Force Factor	BL	Tm
Ratio Fs/Qts	F	Fs/Qts	78.03		Motor Efficiency Factor	β	(T*M ²)/Ohms
Half Space Sensitivity @2.83V	db@2.83V/1M	dB	85.74	+/- 1.0db	Voice coil former Material	VCfm	ASL
Half Space Sensitivity @1W/1M	db@1W/1M	dB	84.7	+/- 1.0db	Voice coil inner diameter	VCd	mm
Gap Height	Gh	mm	8		Rated Noise Power	P	W
Maximum Linear Excursion	Xmax	mm	9.1		Test Spectrum Bandwidth		40Hz-500Hz
Ferrofluid Type	FF				Driver Size	Inch	8 in
Driver Mass	Kg	2.16					

Frequency and Impedance Response



Highcharts.com