

Model No.: DX20SC00-04

Rev: 1

Product Line: Tymphany

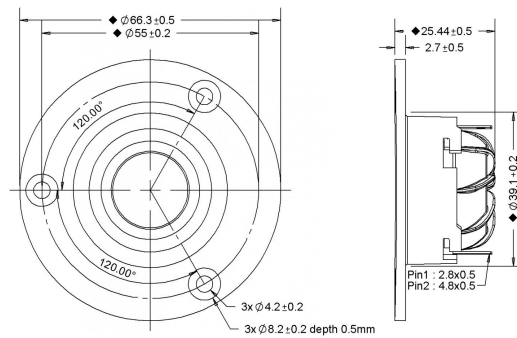
Last Update: 2018-04-25 00:39:00

Product Description

This DX family tweeter features a 4 ohm 0.75 inch voice coil, a damped silk diaphragm with large surround roll to produce a low resonant frequency, and is mounted in a NdFeB motor. The tweeter also features a rear chamber to create extended low frequency response. The faceplate features recessed mounting holes to minimize reflections.



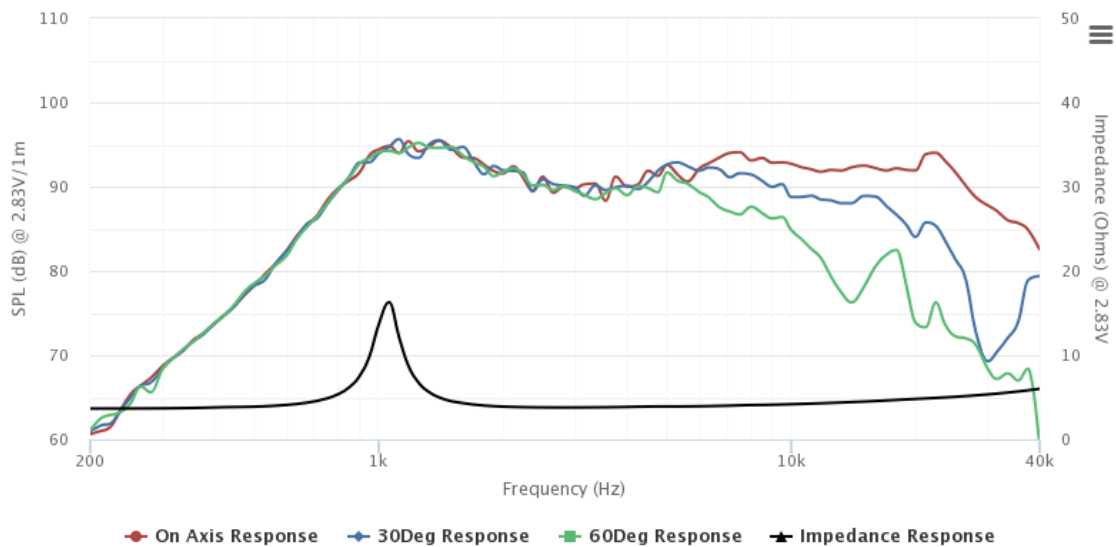
Mechanical Drawing



Specifications

DC Resistance	Revc	Ohms	3.21	5.0%	Energy Bandwidth Product	EBP	(1/Qes)*fs
Minimum Impedance	Zmin	Ohms	3.79	7.5%	Moving Mass	Mms	g
Voice Coil Inductance	Le	mH	0.01		Suspension Compliance	Cms	um/N
Resonant Frequency	Fs	Hz	1046.72	15%	Effective Cone diameter	D	cm
Mechanical Q Factor	Qms		8.5		Effective Piston Area	Sd	cm ²
Electrical Q Factor	Qes	1.74			Effective Volume	Vas	L
Total Q Factor	Qts		1.45		Motor Force Factor	BL	Tm
Ratio Fs/Qts	F	Fs/Qts	723.37		Motor Efficiency Factor	β	(T*M ²)/Ohms
Half Space Sensitivity @2.83V	db@2.83V/1M	dB	90.12	+/- 1.0db	Voice coil former Material	VCfm	ASV
Half Space Sensitivity @1W/1M	db@1W/1M	dB	86.9	+/- 1.0db	Voice coil inner diameter	VCd	mm
Gap Height	Gh	mm	2		Rated Noise Power	P	W
Maximum Linear Excursion	Xmax	mm	0.1		Test Spectrum Bandwidth		1kHz - 20kHz
Ferrofluid Type	FF				Driver Size	Inch	19 mm
Driver Mass	Kg	0.05					

Frequency and Impedance Response



Highcharts.com