

Model No.: H25TG05-08

Rev: 1

Product Line: Tymphany

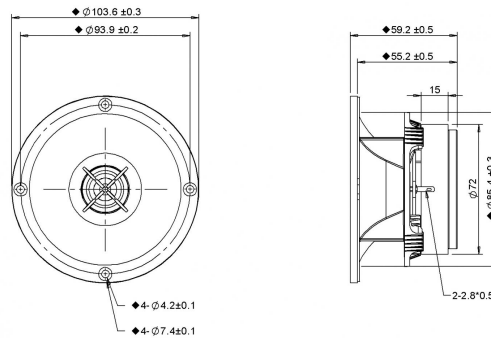
Last Update: 2017-04-25 21:32:09

## Product Description

This H family tweeter features an 1Inch 80hm voice coil, a treated silk dome, large rear chamber for low resonant frequency, and a ferrofluid-cooled motor. The large motor and rear chamber allow for robust power handling capacity. The tweeter comes with a faceplate with recessed mounting holes, for easy installation into the desired application. The faceplate has a horn geometry for increased sensitivity.



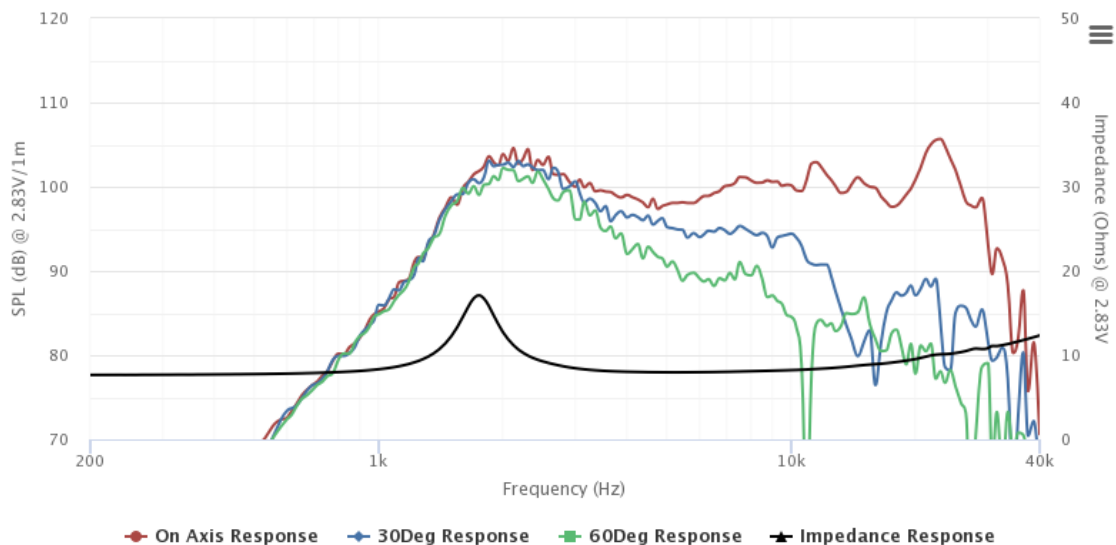
## Mechanical Drawing



## Specifications

DC Resistance	Revc	Ohms	6.66	5.0%	Energy Bandwidth Product	EBP	(1/Qes)*fs
Minimum Impedance	Zmin	Ohms	7.96	7.5%	Moving Mass	Mms	g
Voice Coil Inductance	Le	mH	0.02		Suspension Compliance	Cms	um/N
Resonant Frequency	Fs	Hz	1750.51	15%	Effective Cone diameter	D	cm
Mechanical Q Factor	Qms		3.57		Effective Piston Area	Sd	cm <sup>2</sup>
Electrical Q Factor	Qes		3.08		Effective Volume	Vas	L
Total Q Factor	Qts		1.65		Motor Force Factor	BL	Tm
Ratio Fs/Qts	F	Fs/Qts	1059.63		Motor Efficiency Factor	$\beta$	(T*M <sup>2</sup> )/Ohms
Half Space Sensitivity @2.83V	db@2.83V/1M	dB	97.98	+/- 1.0db	Voice coil former Material	VCfm	KSV
Half Space Sensitivity @1W/1M	db@1W/1M	dB	98	+/- 1.0db	Voice coil inner diameter	VCd	mm
Gap Height	Gh	mm	3		Rated Noise Power	P	W
Maximum Linear Excursion	Xmax	mm	1		Test Spectrum Bandwidth	Na	
Ferrofluid Type	FF				Driver Size	Inch	25 mm
Driver Mass	Kg		0.56				

## Frequency and Impedance Response



Highcharts.com