

Model No.: D26NC06-06

Rev: 1

Product Line: Tymphany

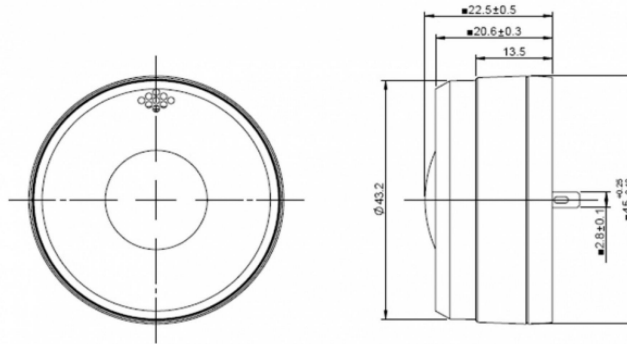
Last Update: 2017-05-10 21:37:51

## Product Description

This D family tweeter features an 6 ohm 25 mm voice coil, a treated silk dome, the rear chamber for low resonant frequency, and a ferrofluid-cooled NdFeB motor. The neodymium magnet and rear chamber allow for robust power handling capacity.



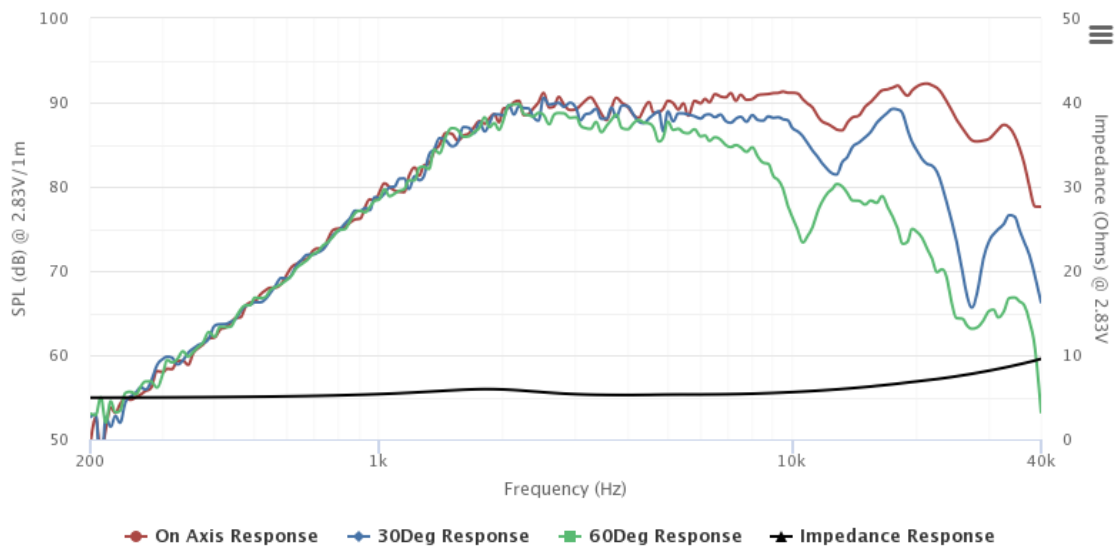
## Mechanical Drawing



## Specifications

DC Resistance	Revc	Ohms	4.6	5.0%	Energy Bandwidth Product	EBP	(1/Qes)*fs
Minimum Impedance	Zmin	Ohms	5.27	7.5%	Moving Mass	Mms	g
Voice Coil Inductance	Le	mH	0.01		Suspension Compliance	Cms	um/N
Resonant Frequency	Fs	Hz	1760.98	15%	Effective Cone diameter	D	cm
Mechanical Q Factor	Qms		0.96		Effective Piston Area	Sd	cm^2
Electrical Q Factor	Qes		4.39		Effective Volume	Vas	L
Total Q Factor	Qts		0.79		Motor Force Factor	BL	Tm
Ratio Fs/Qts	F	Fs/Qts	2240.43		Motor Efficiency Factor	β	(T*M^2)/Ohms
Half Space Sensitivity @2.83V	db@2.83V/1M	dB	89.58	+/- 1.0db	Voice coil former Material	VCfm	ASV
Half Space Sensitivity @1W/1M	db@1W/1M	dB	87.8	+/- 1.0db	Voice coil inner diameter	VCd	mm
Gap Height	Gh	mm	2.5		Rated Noise Power	P	W
Maximum Linear Excursion	Xmax	mm	0.5		Test Spectrum Bandwidth		1.3K-20KHz
Ferrofluid Type	FF		APG834		Driver Size	Inch	1 in
Driver Mass	Kg		0.07				

## Frequency and Impedance Response



Highcharts.com