

Model No.: P18WJ02-04  
 Product Line: Tymphany

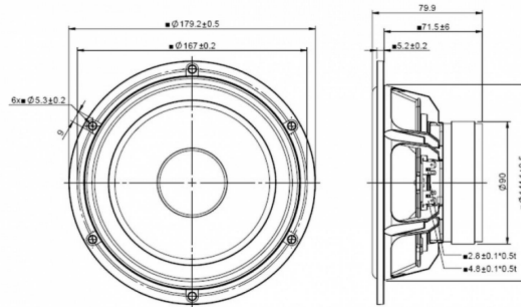
Rev: 1  
 Last Update: 2017-05-10 21:50:57

## Product Description

This is a 6.5inch 4ohm woofer, features a pp cone with rubber surround, a high powerful voice coil suspended in a ferrite magnet motor, supporting high excursion and sensitivity, this driver also features a rigid cost aluminium basket. Is designed to be a high performance transducer.



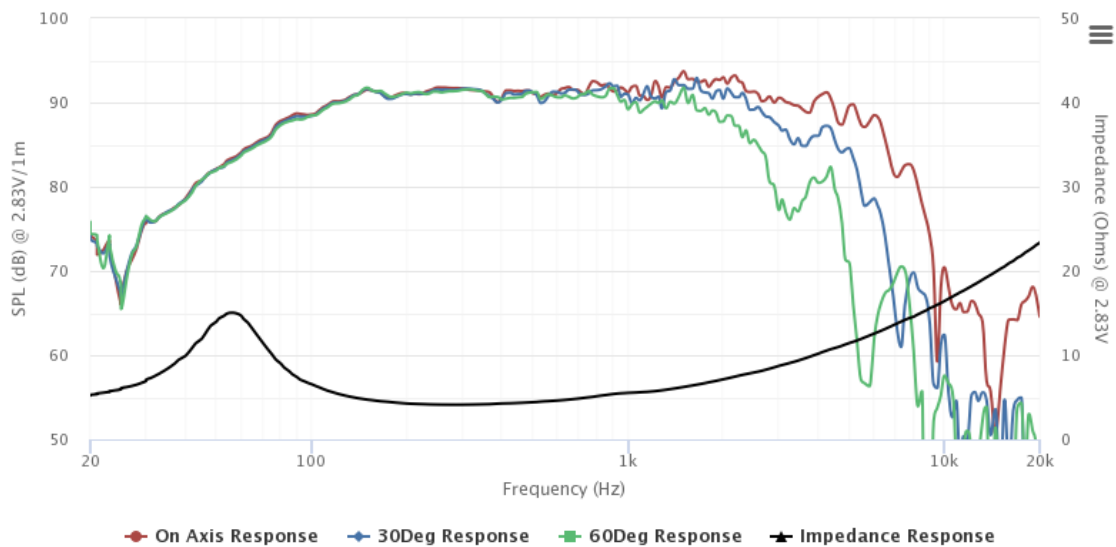
## Mechanical Drawing



## Specifications

DC Resistance	Revc	Ohms	3.03	5.0%	Energy Bandwidth Product	EBP	(1/Qes)*fs
Minimum Impedance	Zmin	Ohms	4.12	7.5%	Moving Mass	Mms	g
Voice Coil Inductance	Le	mH	0.17		Suspension Compliance	Cms	um/N
Resonant Frequency	Fs	Hz	71.32	15%	Effective Cone diameter	D	cm
Mechanical Q Factor	Qms		1.55		Effective Piston Area	Sd	cm <sup>2</sup>
Electrical Q Factor	Qes		0.62		Effective Volume	Vas	L
Total Q Factor	Qts		0.45		Motor Force Factor	BL	Tm
Ratio Fs/Qts	F	Fs/Qts	160.28		Motor Efficiency Factor	$\beta$	(T*M <sup>2</sup> )/Ohms
Half Space Sensitivity @2.83V	db@2.83V/1M	dB	91.68	+/- 1.0db	Voice coil former Material	VCfm	ASV
Half Space Sensitivity @1W/1M	db@1W/1M	dB	88.8	+/- 1.0db	Voice coil inner diameter	VCd	mm
Gap Height	Gh	mm	6		Rated Noise Power	P	W
Maximum Linear Excursion	Xmax	mm	2.7		Test Spectrum Bandwidth		50Hz-4KHz
Ferrofluid Type	FF				Driver Size	Inch	6.5 in
Driver Mass	Kg		1.28				

## Frequency and Impedance Response



Highcharts.com