

Model No.: TC7FD00-04

Product Line: Tymphany

Rev: 1

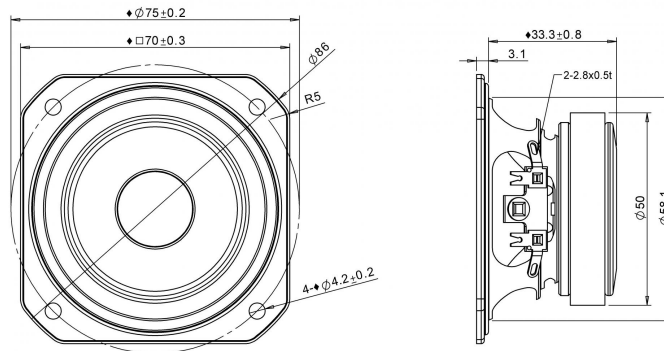
Last Update: 2017-04-25 21:32:09

Product Description

This TC family 2.5 inch 4 ohm full-range driver, with ferrite magnet, paper cone and rubber surround, and steel basket, is designed to be a cost-effective high performance full range driver. The cone utilizes Tymphany-patented PentaCut NRSC cone technology to help dampen and control cone resonances, optimizing the listening experience. The motor contains a copper cap to lower inductance and distortion. The product was designed with portable and other compact applications in mind.



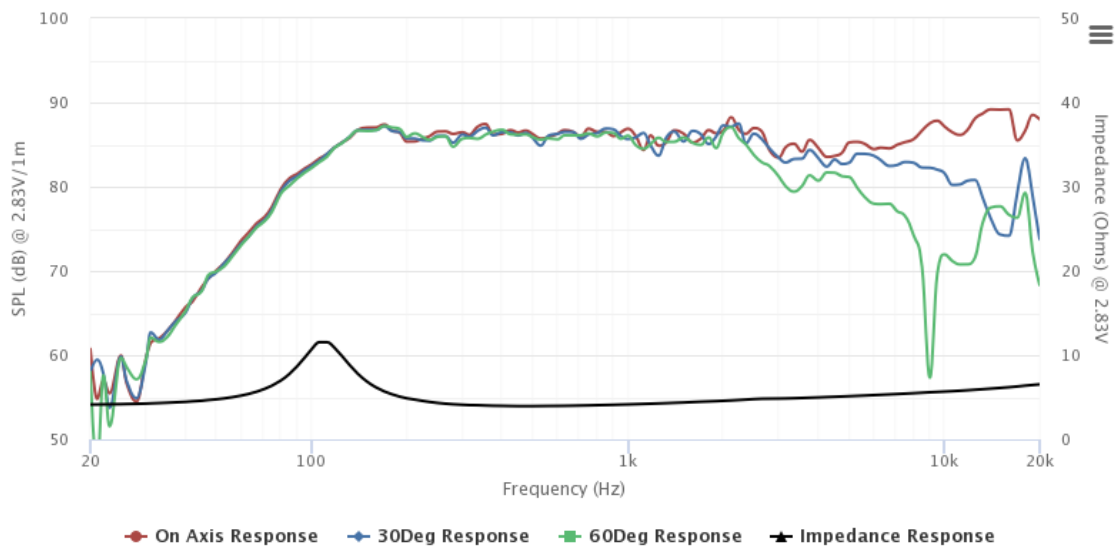
Mechanical Drawing



Specifications

| | | | | | | | |
|-------------------------------|-------------|--------|--------|-----------|----------------------------|---------|--------------------------|
| DC Resistance | Revc | Ohms | 3.22 | 5.0% | Energy Bandwidth Product | EBP | (1/Qes)*fs |
| Minimum Impedance | Zmin | Ohms | 3.95 | 7.5% | Moving Mass | Mms | g |
| Voice Coil Inductance | Le | mH | 0.02 | | Suspension Compliance | Cms | um/N |
| Resonant Frequency | Fs | Hz | 143.42 | 15% | Effective Cone diameter | D | cm |
| Mechanical Q Factor | Qms | | 3.66 | | Effective Piston Area | Sd | cm ² |
| Electrical Q Factor | Qes | 1.22 | | | Effective Volume | Vas | L |
| Total Q Factor | Qts | 0.92 | | | Motor Force Factor | BL | Tm |
| Ratio Fs/Qts | F | Fs/Qts | 156.4 | | Motor Efficiency Factor | β | (T*M ²)/Ohms |
| Half Space Sensitivity @2.83V | db@2.83V/1M | dB | 86.36 | +/- 1.0db | Voice coil former Material | VCfm | ASV |
| Half Space Sensitivity @1W/1M | db@1W/1M | dB | 83.3 | +/- 1.0db | Voice coil inner diameter | VCd | mm |
| Gap Height | Gh | mm | 3 | | Rated Noise Power | P | W |
| Maximum Linear Excursion | Xmax | mm | 1 | | Test Spectrum Bandwidth | | 130Hz - 20kHz |
| Ferrofluid Type | FF | | | | Driver Size | Inch | 2.5 in |
| Driver Mass | Kg | 0.18 | | | | | |

Frequency and Impedance Response



Highcharts.com