

Model No.: TC9FD00-04

Rev: 1

Product Line: Tymphany

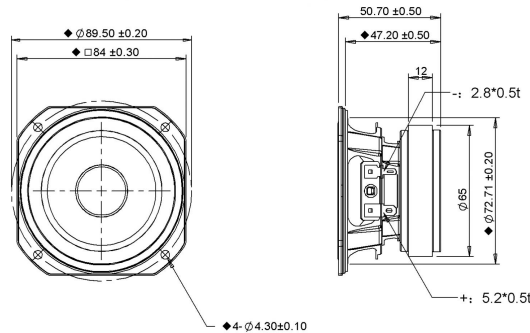
Last Update: 2017-04-25 21:32:09

Product Description

This TC family 3.5 inch 4 ohm full-range driver, with ferrite magnet, paper cone, fabric surround and steel basket, is designed to be a cost-effective high performance full range driver. The cone utilizes Tymphany-patented PentaCut NRSC cone technology to help dampen and control cone resonances, optimizing the listening experience. The motor contains a copper cap to lower inductance and distortion. The product was designed with Pro column and other high sensitivity full range applications in mind.



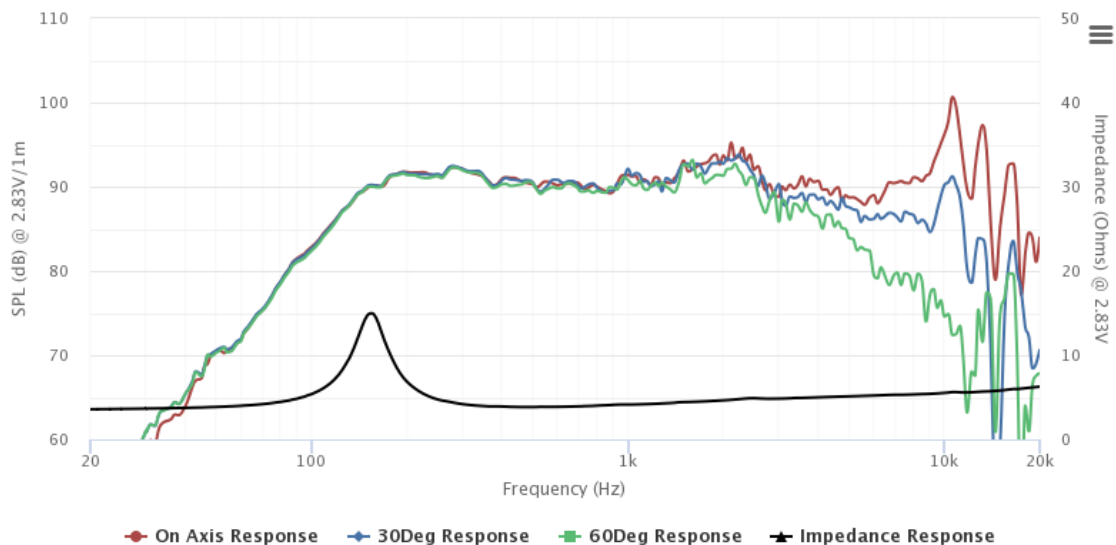
Mechanical Drawing



Specifications

DC Resistance	Revc	Ohms	3.03	5.0%	Energy Bandwidth Product	EBP	(1/Qes)*fs
Minimum Impedance	Zmin	Ohms	3.84	7.5%	Moving Mass	Mms	g
Voice Coil Inductance	Le	mH	0.02		Suspension Compliance	Cms	um/N
Resonant Frequency	Fs	Hz	174.64	15%	Effective Cone diameter	D	cm
Mechanical Q Factor	Qms		4.75		Effective Piston Area	Sd	cm ²
Electrical Q Factor	Qes		1.28		Effective Volume	Vas	L
Total Q Factor	Qts		1.01		Motor Force Factor	BL	Tm
Ratio Fs/Qts	F	Fs/Qts	173.09		Motor Efficiency Factor	β	(T*M ²)/Ohms
Half Space Sensitivity @2.83V	db@2.83V/1M	dB	90.27	+/- 1.0db	Voice coil former Material	VCfm	ASV
Half Space Sensitivity @1W/1M	db@1W/1M	dB	87.1	+/- 1.0db	Voice coil inner diameter	VCd	mm
Gap Height	Gh	mm	4		Rated Noise Power	P	W
Maximum Linear Excursion	Xmax	mm	1.6		Test Spectrum Bandwidth	Fs-10000	
Ferrofluid Type	FF				Driver Size	Inch	3.5 in
Driver Mass	Kg		0.4				

Frequency and Impedance Response



Highcharts.com