

Model No.: BC18WK05-08
 Product Line: Tymphany

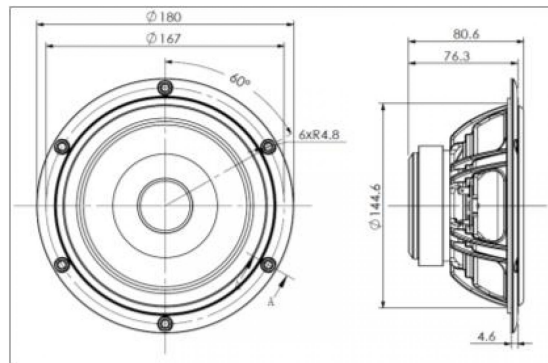
Rev: 1
 Last Update: 2017-04-25 21:32:09

Product Description

BC midwoofer, 6.5 inch, paper cone, ferrite motor, plastic basket, 8ohm



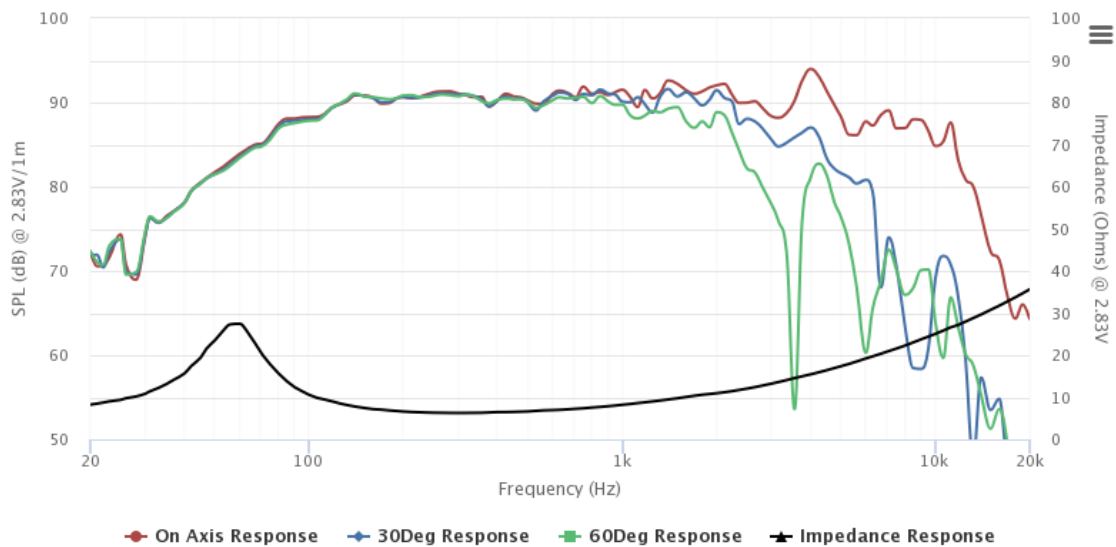
Mechanical Drawing



Specifications

DC Resistance	Revc	Ohms	5.55	5.0%	Energy Bandwidth Product	EBP	(1/Qes)*fs	104.24
Minimum Impedance	Zmin	Ohms	6.28	7.5%	Moving Mass	Mms	g	11.6
Voice Coil Inductance	Le	mH	0.28		Suspension Compliance	Cms	um/N	620.5
Resonant Frequency	Fs	Hz	59.35	15%	Effective Cone diameter	D	cm	13.3
Mechanical Q Factor	Qms		2.5		Effective Piston Area	Sd	cm^2	138.9
Electrical Q Factor	Qes		0.57		Effective Volume	Vas	L	16.82
Total Q Factor	Qts		0.46		Motor Force Factor	BL	Tm	6.51
Ratio Fs/Qts	F	Fs/Qts	128.46		Motor Efficiency Factor	β	(T*M^2)/Ohms	7.6
Half Space Sensitivity @2.83V	db@2.83V/1M	dB	91.05	+/- 1.0db	Voice coil former Material	VCfm		ASV
Half Space Sensitivity @1W/1M	db@1W/1M	dB	90	+/- 1.0db	Voice coil inner diameter	VCd	mm	25.86
Gap Height	Gh	mm	5		Rated Noise Power	P	W	30
Maximum Linear Excursion	Xmax	mm	3.4		Test Spectrum Bandwidth		20Hz--8KHz	
Ferrofluid Type	FF		N/A		Driver Size	Inch	6.5 in	
Driver Mass	Kg		1					

Frequency and Impedance Response



Highcharts.com