

Model No.: SBS-160F35CP01-04

Rev: 1

Product Line: Tymphany

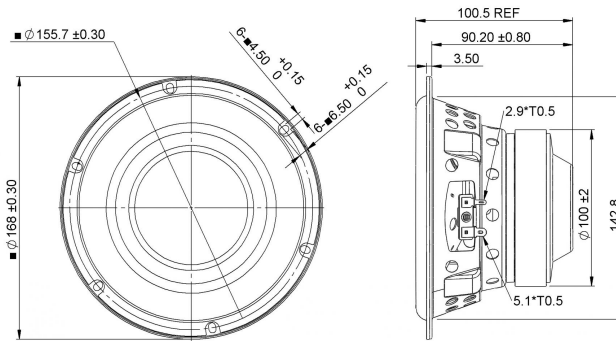
Last Update: 2017-04-25 21:32:09

Product Description

This is a 6.5 inch 4 ohm woofer features a paper cone, rubber surround, high power voice coil suspended in a ferrite magnet motor, and a steel basket. Designed to be a cost-effective high performance driver.



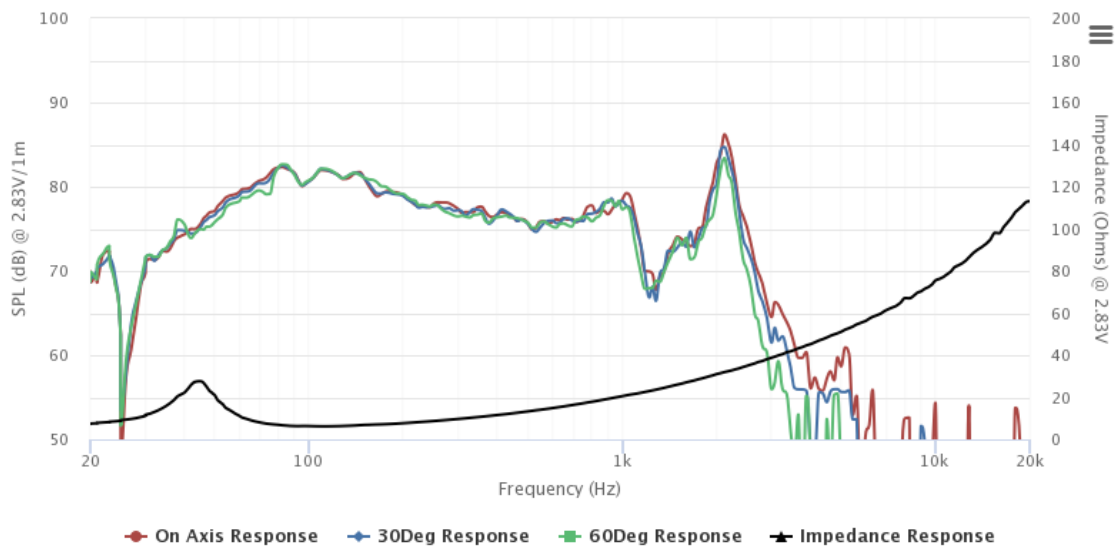
Mechanical Drawing



Specifications

DC Resistance	Revc	Ohms	4.1	5.0%	Energy Bandwidth Product	EBP	(1/Qes)*fs
Minimum Impedance	Zmin	Ohms	6.21	7.5%	Moving Mass	Mms	g
Voice Coil Inductance	Le	mH	0.93		Suspension Compliance	Cms	um/N
Resonant Frequency	Fs	Hz	48.54	15%	Effective Cone diameter	D	cm
Mechanical Q Factor	Qms		3.57		Effective Piston Area	Sd	cm ²
Electrical Q Factor	Qes	0.75			Effective Volume	Vas	L
Total Q Factor	Qts	0.62			Motor Force Factor	BL	Tm
Ratio Fs/Qts	F	Fs/Qts	78.16		Motor Efficiency Factor	β	(T*M ²)/Ohms
Half Space Sensitivity @2.83V	db@2.83V/1M	dB	81.84	+/- 1.0db	Voice coil former Material	VCfm	ASV
Half Space Sensitivity @1W/1M	db@1W/1M	dB	80.7	+/- 1.0db	Voice coil inner diameter	VCd	mm
Gap Height	Gh	mm	6		Rated Noise Power	P	W
Maximum Linear Excursion	Xmax	mm	8.5		Test Spectrum Bandwidth		40Hz-500Hz
Ferrofluid Type	FF				Driver Size	Inch	6 in
Driver Mass	Kg	1.96					

Frequency and Impedance Response



Highcharts.com