

Model No.: SBS-250F38AL01-04

Rev: 1

Product Line: Tymphany

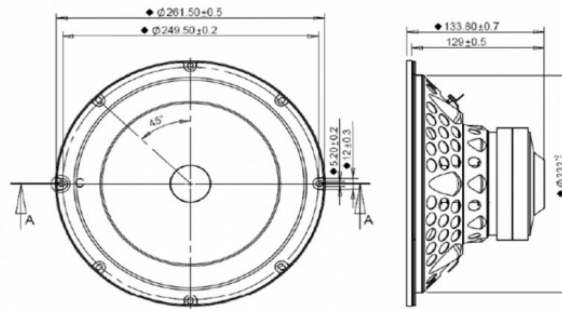
Last Update: 2017-05-10 20:46:24

## Product Description

This 10inch 4ohm subwoofer driver, a member of the new SBS product family, features an anodized aluminium cone with inverted rubber surround, offering a unique visual appearance, a rigid steel basket, and double ferrite magnet motor system. The product offers high power handling capacity, geared towards operation in smaller sealed, powered systems.



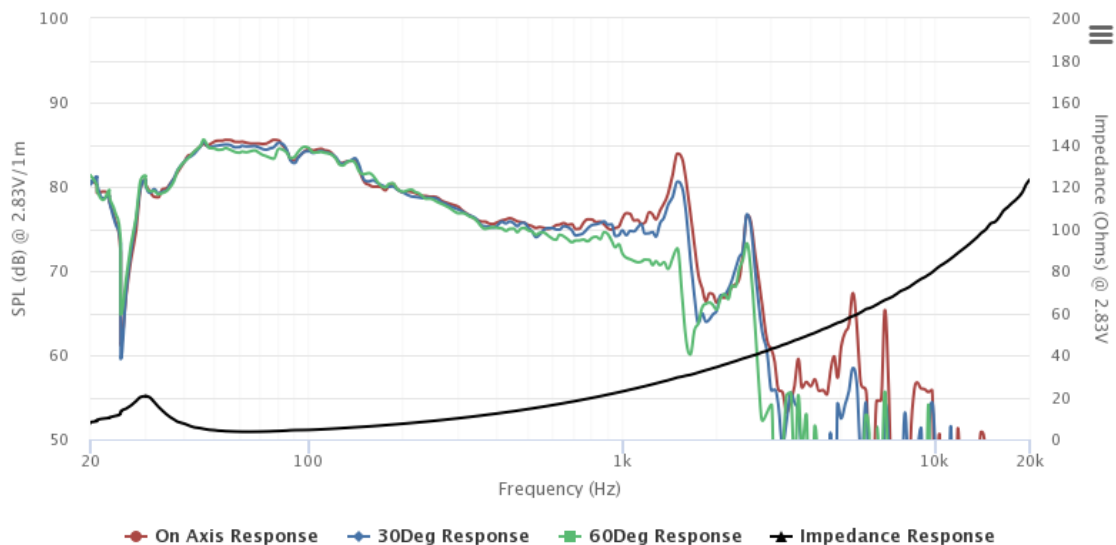
## Mechanical Drawing



## Specifications

DC Resistance	Revc	Ohms	2.08	5.0%	Energy Bandwidth Product	EBP	(1/Qes)*fs
Minimum Impedance	Zmin	Ohms	3.64	7.5%	Moving Mass	Mms	g
Voice Coil Inductance	Le	mH	1		Suspension Compliance	Cms	um/N
Resonant Frequency	Fs	Hz	33.43	15%	Effective Cone diameter	D	cm
Mechanical Q Factor	Qms		4.23		Effective Piston Area	Sd	cm <sup>2</sup>
Electrical Q Factor	Qes	0.56			Effective Volume	Vas	L
Total Q Factor	Qts	0.5			Motor Force Factor	BL	Tm
Ratio Fs/Qts	F	Fs/Qts	67.26		Motor Efficiency Factor	$\beta$	(T*M <sup>2</sup> )/Ohms
Half Space Sensitivity @2.83V	db@2.83V/1M	dB	85.23	+/- 1.0db	Voice coil former Material	VCfm	ASV
Half Space Sensitivity @1W/1M	db@1W/1M	dB	81.8	+/- 1.0db	Voice coil inner diameter	VCd	mm
Gap Height	Gh	mm	8		Rated Noise Power	P	W
Maximum Linear Excursion	Xmax	mm	7.4		Test Spectrum Bandwidth		30Hz-200Hz
Ferrofluid Type	FF				Driver Size	Inch	10 in
Driver Mass	Kg	3.16					

## Frequency and Impedance Response



Highcharts.com