

Model No.: SBS-250P00CP01-00

Rev: 1

Product Line: Tymphany

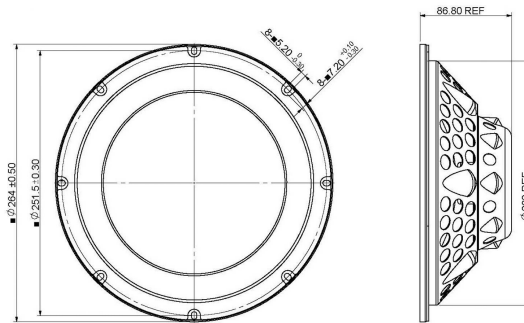
Last Update: 2017-04-25 21:32:09

Product Description

This 10inch passive radiator, a member of the new SBS product family, with a coated paper cone, NBR rubber surround, is designed to achieve high linear excursions in passive radiator systems. The rigidged steel basket is designed to pass the finger probe test in safety certifications.



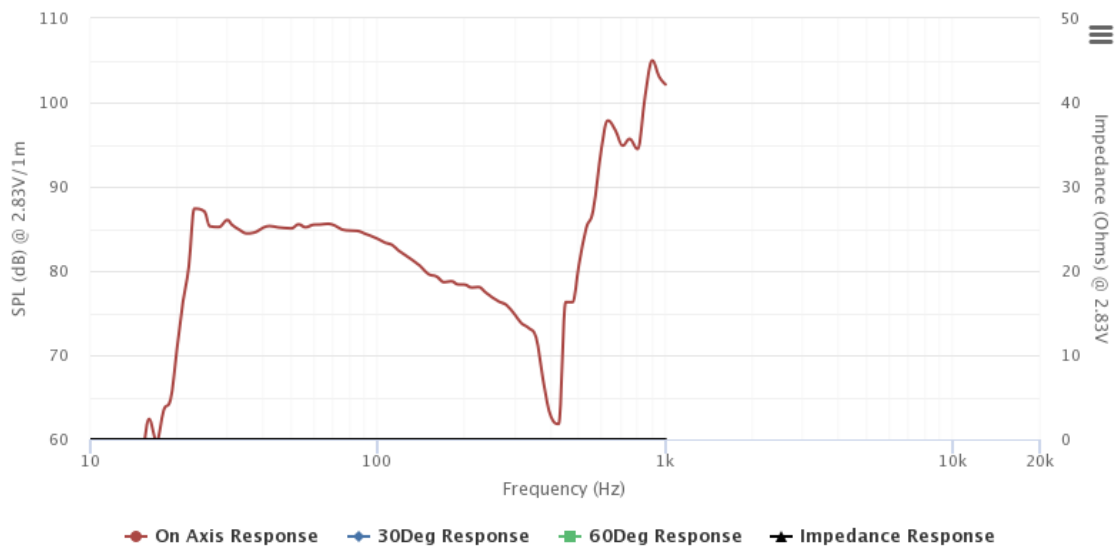
Mechanical Drawing



Specifications

DC Resistance	Revc	Ohms	0	5.0%	Energy Bandwidth Product	EBP	(1/Qes)*fs	
Minimum Impedance	Zmin	Ohms	0	7.5%	Moving Mass	Mms	g	276.7
Voice Coil Inductance	Le	mH	0		Suspension Compliance	Cms	um/N	129.5
Resonant Frequency	Fs	Hz	0	15%	Effective Cone diameter	D	cm	20.8
Mechanical Q Factor	Qms		0		Effective Piston Area	Sd	cm^2	339.8
Electrical Q Factor	Qes		0		Effective Volume	Vas	L	0
Total Q Factor	Qts		0		Motor Force Factor	BL	Tm	0
Ratio Fs/Qts	F	Fs/Qts			Motor Efficiency Factor	β	(T*M^2)/Ohms	
Half Space Sensitivity @2.83V	db@2.83V/1M	dB	41.04	+/- 1.0db	Voice coil former Material	VCfm		
Half Space Sensitivity @1W/1M	db@1W/1M	dB	0	+/- 1.0db	Voice coil inner diameter	VCd	mm	0
Gap Height	Gh	mm	0		Rated Noise Power	P	W	0
Maximum Linear Excursion	Xmax	mm	0		Test Spectrum Bandwidth			
Ferrofluid Type	FF				Driver Size	Inch	10 in	
Driver Mass	Kg		0					

Frequency and Impedance Response



Highcharts.com