

Model No.: TPY04W0400016ES

Rev: 1

Product Line: Tymphany

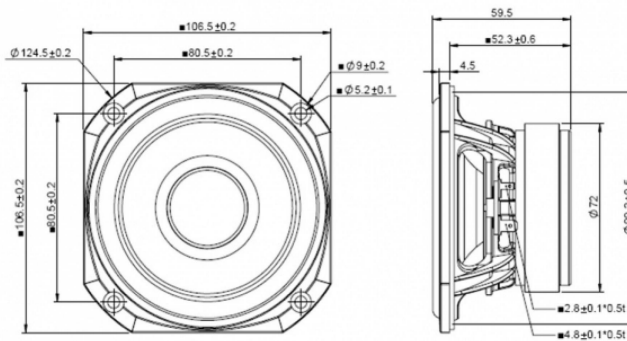
Last Update: 2017-05-10 21:48:56

Product Description

This 4inch 4ohm woofer member of the classic product family. The classic series consists of all the highly regarded transducers that have been appraised and loved by so many customers over the years. This driver features a paper cone, rubber surround, a ferrite magnet and a aluminum basket, the operate effective frequency response between 60Hz to 4KHz. Is designed to be a high performance diver



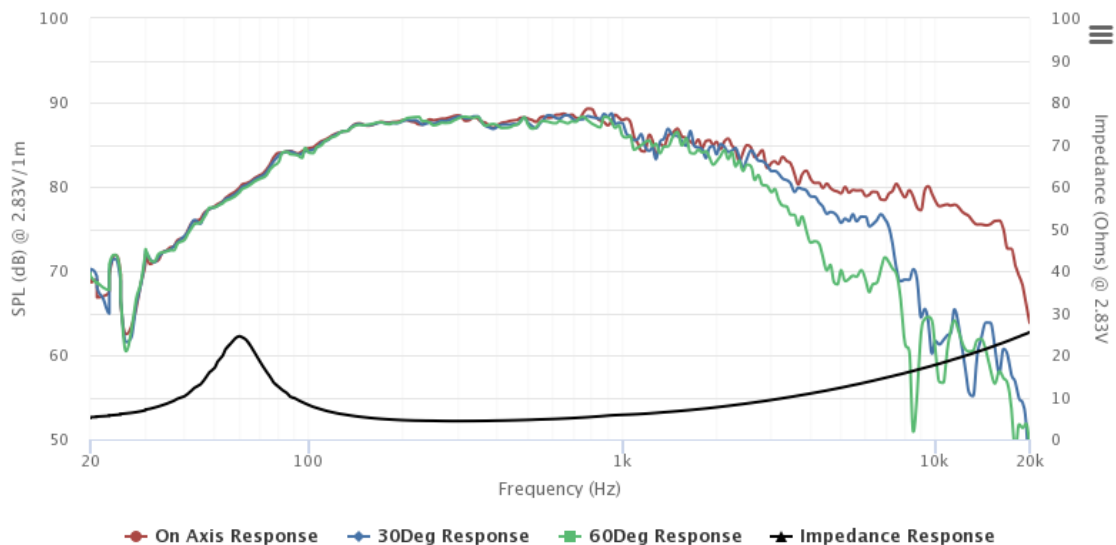
Mechanical Drawing



Specifications

DC Resistance	Revc	Ohms	3.08	5.0%	Energy Bandwidth Product	EBP	(1/Qes)*fs
Minimum Impedance	Zmin	Ohms	4.35	7.5%	Moving Mass	Mms	g
Voice Coil Inductance	Le	mH	0.27		Suspension Compliance	Cms	um/N
Resonant Frequency	Fs	Hz	64.95	15%	Effective Cone diameter	D	cm
Mechanical Q Factor	Qms		2.79		Effective Piston Area	Sd	cm ²
Electrical Q Factor	Qes		0.45		Effective Volume	Vas	L
Total Q Factor	Qts		0.38		Motor Force Factor	BL	Tm
Ratio Fs/Qts	F	Fs/Qts	169.15		Motor Efficiency Factor	β	(T*M ²)/Ohms
Half Space Sensitivity @2.83V	db@2.83V/1M	dB	88.29	+/- 1.0db	Voice coil former Material	VCfm	ASV
Half Space Sensitivity @1W/1M	db@1W/1M	dB	85.6	+/- 1.0db	Voice coil inner diameter	VCd	mm
Gap Height	Gh	mm	4		Rated Noise Power	P	W
Maximum Linear Excursion	Xmax	mm	4.6		Test Spectrum Bandwidth		60Hz-4KHz
Ferrofluid Type	FF				Driver Size	Inch	4 in
Driver Mass	Kg		0.62				

Frequency and Impedance Response



Highcharts.com