

Model No.: TPY05W04O0089

Rev: 1

Product Line: Tymphany

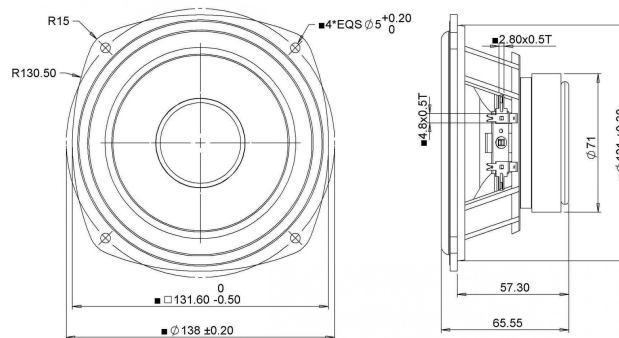
Last Update: 2017-04-25 21:32:09

Product Description

This 5.25 inch 4 ohm driver is a member of the Heritage family.



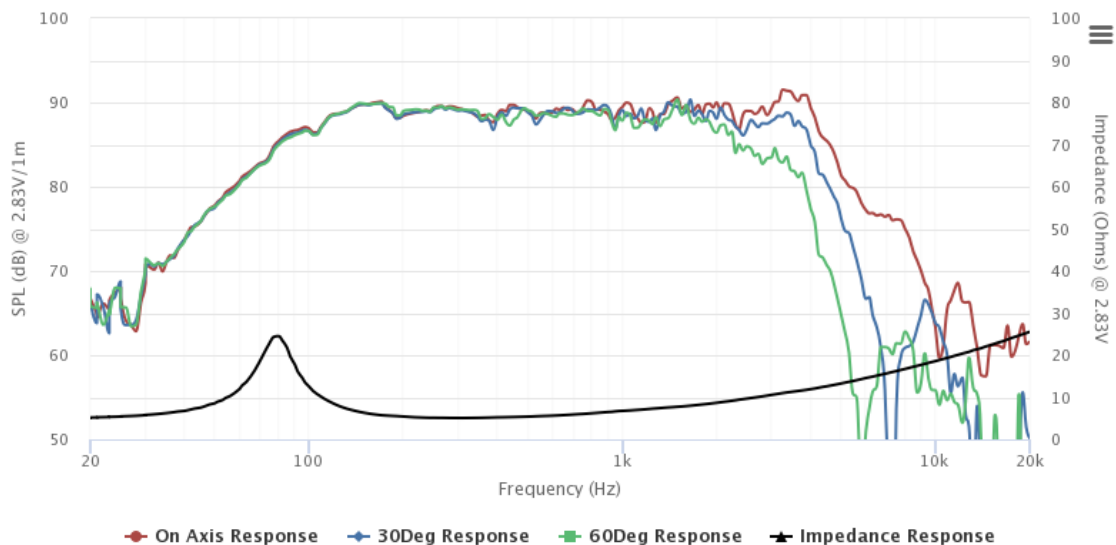
Mechanical Drawing



Specifications

DC Resistance	Revc	Ohms	3.74	5.0%	Energy Bandwidth Product	EBP	(1/Qes)*fs
Minimum Impedance	Zmin	Ohms	5.08	7.5%	Moving Mass	Mms	g
Voice Coil Inductance	Le	mH	0.18		Suspension Compliance	Cms	um/N
Resonant Frequency	Fs	Hz	87.42	15%	Effective Cone diameter	D	cm
Mechanical Q Factor	Qms		3.53		Effective Piston Area	Sd	cm ²
Electrical Q Factor	Qes		0.73		Effective Volume	Vas	L
Total Q Factor	Qts		0.6		Motor Force Factor	BL	Tm
Ratio Fs/Qts	F	Fs/Qts	144.97		Motor Efficiency Factor	β	(T*M ²)/Ohms
Half Space Sensitivity @2.83V	db@2.83V/1M	dB	89.21	+/- 1.0db	Voice coil former Material	VCfm	ASV
Half Space Sensitivity @1W/1M	db@1W/1M	dB	87.2	+/- 1.0db	Voice coil inner diameter	VCd	mm
Gap Height	Gh	mm	6		Rated Noise Power	P	W
Maximum Linear Excursion	Xmax	mm	2.5		Test Spectrum Bandwidth		20Hz-4KHz
Ferrofluid Type	FF				Driver Size	Inch	5.25 in
Driver Mass	Kg		0.66				

Frequency and Impedance Response



Highcharts.com