

Model No.: TPY25T04S0062

Rev: 1

Product Line: Tymphany

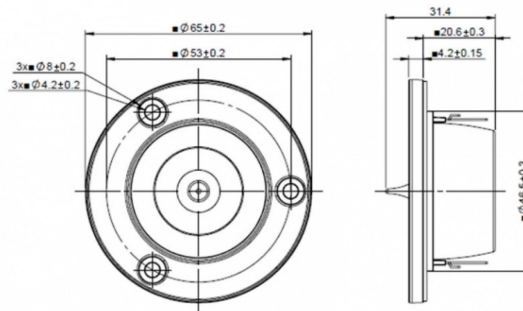
Last Update: 2017-04-25 21:32:09

Product Description

This tweeter member of the classical product family. This driver features a 4ohm 25mm voice coil, a damped silk diaphragm with large surround roll to produce a low resonant frequency, with a neodymium magnet motor and plastic faceplate. The driver operates the effective frequency response between 800Hz to 40KHz. It designed to be a high performance transducer.



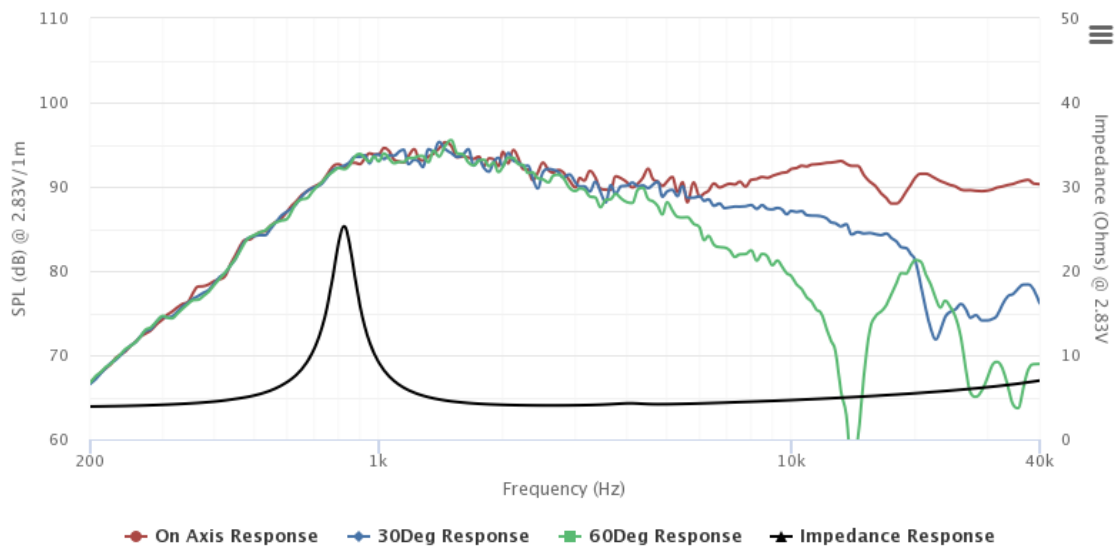
Mechanical Drawing



Specifications

DC Resistance	Revc	Ohms	3.2	5.0%	Energy Bandwidth Product	EBP	(1/Qes) ^{fs}
Minimum Impedance	Zmin	Ohms	4.03	7.5%	Moving Mass	Mms	g
Voice Coil Inductance	Le	mH	0.02		Suspension Compliance	Cms	um/N
Resonant Frequency	Fs	Hz	825.2	15%	Effective Cone diameter	D	cm
Mechanical Q Factor	Qms		8.37		Effective Piston Area	Sd	cm ²
Electrical Q Factor	Qes	1.05			Effective Volume	Vas	L
Total Q Factor	Qts		0.93		Motor Force Factor	BL	Tm
Ratio Fs/Qts	F	Fs/Qts	887.31		Motor Efficiency Factor	β	(T ² M ²)/Ohms
Half Space Sensitivity @2.83V	db@2.83V/1M	dB	92.03	+/- 1.0db	Voice coil former Material	VCfm	ASV
Half Space Sensitivity @1W/1M	db@1W/1M	dB	89	+/- 1.0db	Voice coil inner diameter	VCd	mm
Gap Height	Gh	mm	2		Rated Noise Power	P	W
Maximum Linear Excursion	Xmax	mm	0.1		Test Spectrum Bandwidth		800Hz-20KHz
Ferrofluid Type	FF				Driver Size	Inch	25 mm
Driver Mass	Kg	0.08					

Frequency and Impedance Response



Highcharts.com