

Model No.: TA6FD00-08
 Product Line: Tymphany

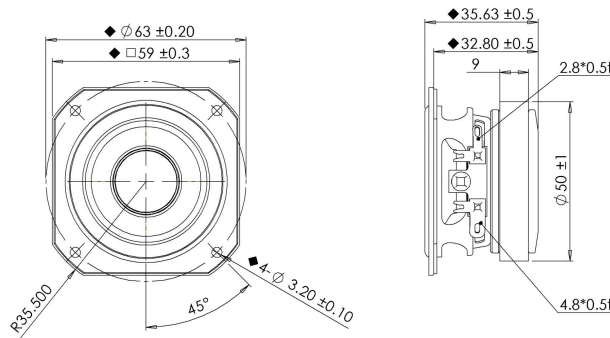
Rev: 1
 Last Update: 2017-04-25 21:32:09

Product Description

This 2 inch 8 ohm member of the new TA family sets a high standard for compact full range drivers. Intended for applications such as television soundbars and other compact applications in mind. Design features in this family include a stiff steel basket with venting under the spider to aid cooling of the motor, a ferrite magnet motor with copper cap to lower coil inductance, providing low distortion at low frequencies and extended high frequency response. A black anodized aluminium cone and a black anodized aluminium dust cap are employed on the driver, coupled directly to the voice coil.



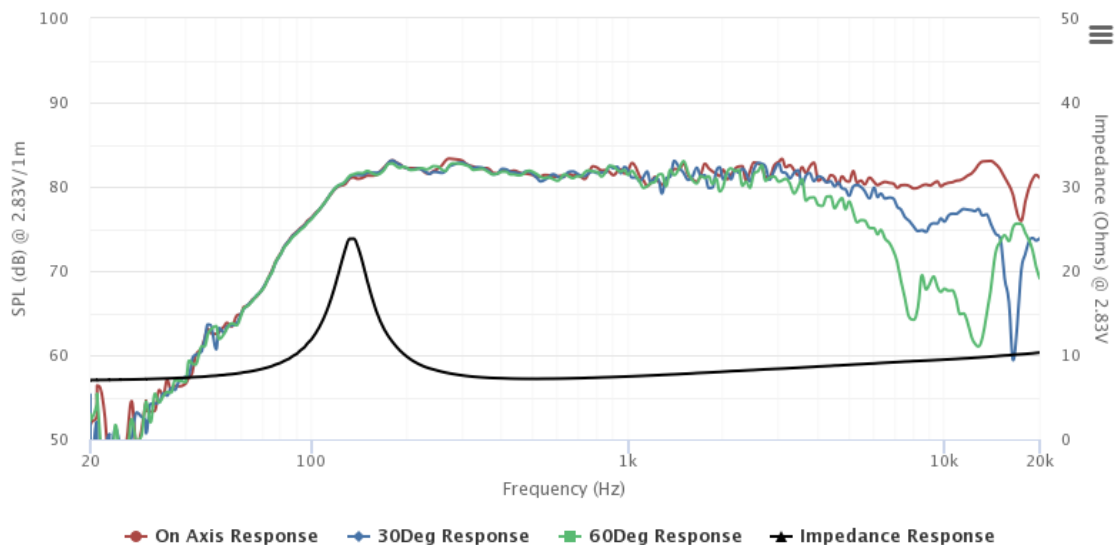
Mechanical Drawing



Specifications

DC Resistance	Revc	Ohms	6.46	5.0%	Energy Bandwidth Product	EBP	(1/Qes)*fs
Minimum Impedance	Zmin	Ohms	7.19	7.5%	Moving Mass	Mms	g
Voice Coil Inductance	Le	mH	0.04		Suspension Compliance	Cms	um/N
Resonant Frequency	Fs	Hz	150.1	15%	Effective Cone diameter	D	cm
Mechanical Q Factor	Qms		3.81		Effective Piston Area	Sd	cm ²
Electrical Q Factor	Qes		1.42		Effective Volume	Vas	L
Total Q Factor	Qts		1.03		Motor Force Factor	BL	Tm
Ratio Fs/Qts	F	Fs/Qts	145.45		Motor Efficiency Factor	β	(T*M ²)/Ohms
Half Space Sensitivity @2.83V	db@2.83V/1M	dB	81.34	+/- 1.0db	Voice coil former Material	VCfm	
Half Space Sensitivity @1W/1M	db@1W/1M	dB	80.9	+/- 1.0db	Voice coil inner diameter	VCd	mm
Gap Height	Gh	mm	3		Rated Noise Power	P	W
Maximum Linear Excursion	Xmax	mm	1		Test Spectrum Bandwidth		100Hz--20KHz
Ferrofluid Type	FF				Driver Size	Inch	2 in
Driver Mass	Kg		0.17				

Frequency and Impedance Response



Highcharts.com