

Model No.: M17WG09-08  
 Product Line: Tymphany

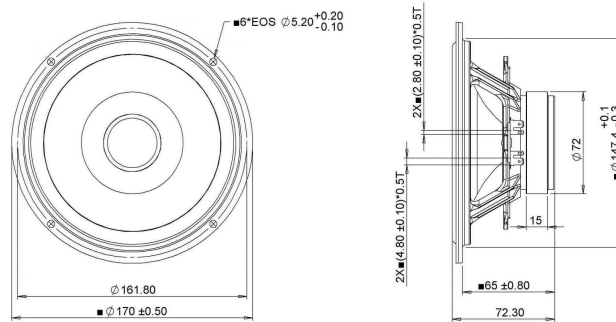
Rev: 1  
 Last Update: 2017-05-10 21:30:36

## Product Description

This 6.5 inch 8 ohm driver is a member of the Heritage family.



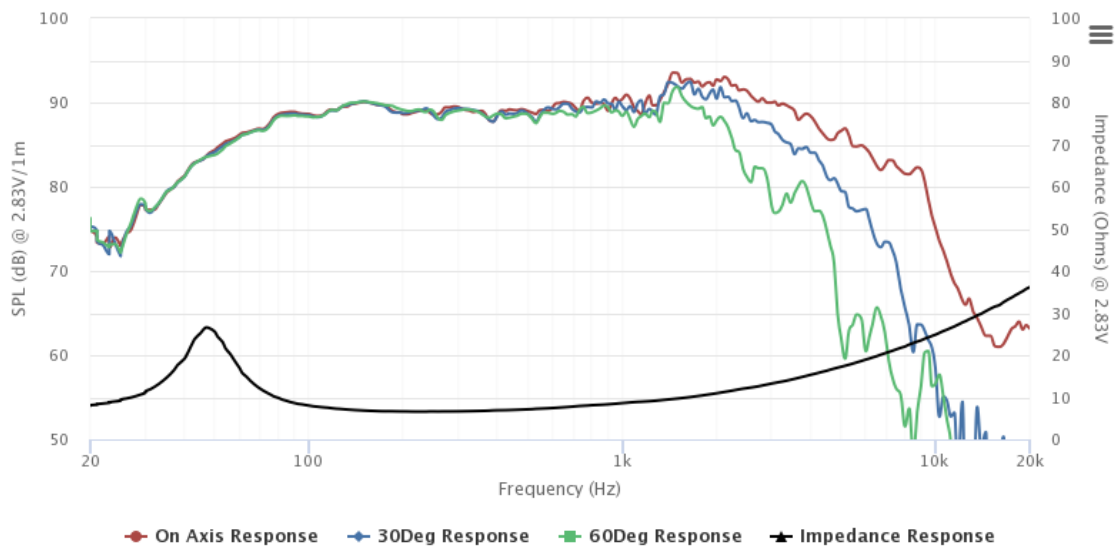
## Mechanical Drawing



## Specifications

DC Resistance	Revc	Ohms	5.57	5.0%	Energy Bandwidth Product	EBP	(1/Qes)*fs
Minimum Impedance	Zmin	Ohms	6.6	7.5%	Moving Mass	Mms	g
Voice Coil Inductance	Le	mH	0.27		Suspension Compliance	Cms	um/N
Resonant Frequency	Fs	Hz	56.34	15%	Effective Cone diameter	D	cm
Mechanical Q Factor	Qms		3.84		Effective Piston Area	Sd	cm <sup>2</sup>
Electrical Q Factor	Qes		0.9		Effective Volume	Vas	L
Total Q Factor	Qts		0.73		Motor Force Factor	BL	Tm
Ratio Fs/Qts	F	Fs/Qts	77.08		Motor Efficiency Factor	$\beta$	(T*M <sup>2</sup> )/Ohms
Half Space Sensitivity @2.83V	db@2.83V/1M	dB	88.97	+/- 1.0db	Voice coil former Material	VCfm	ASV
Half Space Sensitivity @1W/1M	db@1W/1M	dB	88.1	+/- 1.0db	Voice coil inner diameter	VCd	mm
Gap Height	Gh	mm	4		Rated Noise Power	P	W
Maximum Linear Excursion	Xmax	mm	3.9		Test Spectrum Bandwidth		40Hz-20KHz
Ferrofluid Type	FF				Driver Size	Inch	6.5 in
Driver Mass	Kg		0.68				

## Frequency and Impedance Response



Highcharts.com