

Model No.: BC20SC15-04

Rev: 1

Product Line: Tymphany

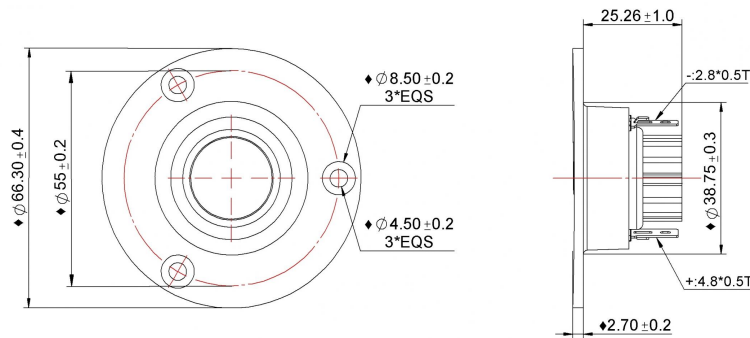
Last Update: 2017-04-25 21:32:09

## Product Description

The BC family of tweeters features a damped fabric dome for smooth frequency response performance and ferrofluid in the gap of the NdFeB motor, providing enhanced cooling of the voice coil. BC tweeters come with a compact faceplate with recessed mounting holes, complete with a sealing gasket which helps reduce vibration between baffle and driver.



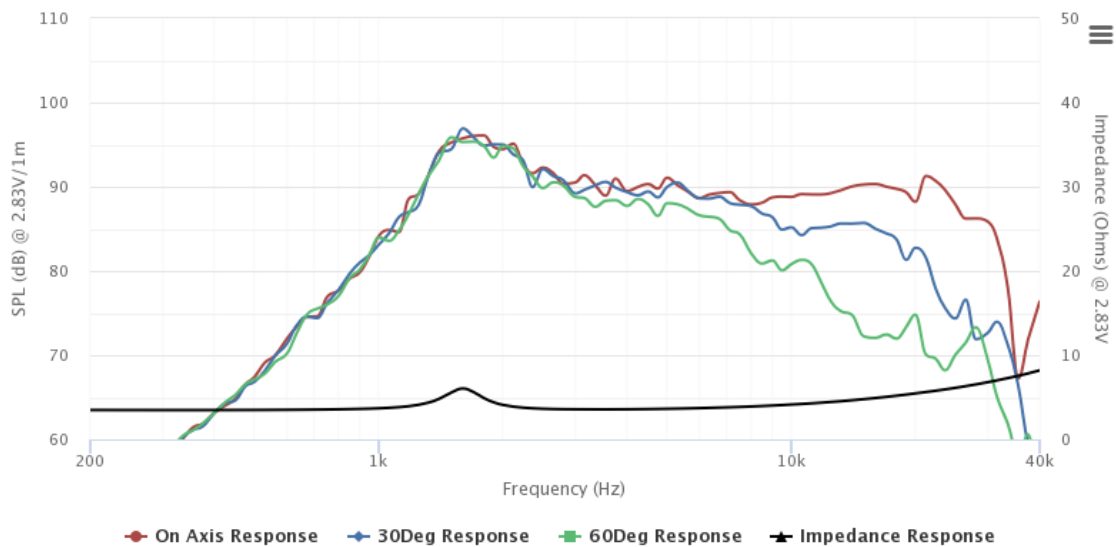
## Mechanical Drawing



## Specifications

|                               |             |        |         |           |                            |         |                          |                |
|-------------------------------|-------------|--------|---------|-----------|----------------------------|---------|--------------------------|----------------|
| DC Resistance                 | Revc        | Ohms   | 3.11    | 5.0%      | Energy Bandwidth Product   | EBP     | (1/Qes)*fs               | 316.44         |
| Minimum Impedance             | Zmin        | Ohms   | 3.56    | 7.5%      | Moving Mass                | Mms     | g                        | 0.2            |
| Voice Coil Inductance         | Le          | mH     | 0.02    |           | Suspension Compliance      | Cms     | um/N                     | 49.4           |
| Resonant Frequency            | Fs          | Hz     | 1579.55 | 15%       | Effective Cone diameter    | D       | cm                       | 2.4            |
| Mechanical Q Factor           | Qms         |        | 4.8     |           | Effective Piston Area      | Sd      | cm <sup>2</sup>          | 4.5            |
| Electrical Q Factor           | Qes         |        | 4.99    |           | Effective Volume           | Vas     | L                        | 0              |
| Total Q Factor                | Qts         |        | 2.45    |           | Motor Force Factor         | BL      | Tm                       | 1.13           |
| Ratio Fs/Qts                  | F           | Fs/Qts | 645.77  |           | Motor Efficiency Factor    | $\beta$ | (T*M <sup>2</sup> )/Ohms | 0.4            |
| Half Space Sensitivity @2.83V | db@2.83V/1M | dB     | 90.18   | +/- 1.0db | Voice coil former Material | VCfm    |                          | ASV            |
| Half Space Sensitivity @1W/1M | db@1W/1M    | dB     | 86.7    | +/- 1.0db | Voice coil inner diameter  | VCd     | mm                       | 20.4           |
| Gap Height                    | Gh          | mm     | 2       |           | Rated Noise Power          | P       | W                        | 80             |
| Maximum Linear Excursion      | Xmax        | mm     | 0.2     |           | Test Spectrum Bandwidth    |         |                          | 1.5kHz - 20kHz |
| Ferrofluid Type               | FF          |        | APG027N |           | Driver Size                | Inch    |                          | 19 mm          |
| Driver Mass                   | Kg          |        | 0.1     |           |                            |         |                          |                |

## Frequency and Impedance Response



Highcharts.com