

Model No.: SLS-P830946

Rev: 1

Product Line: Peerless

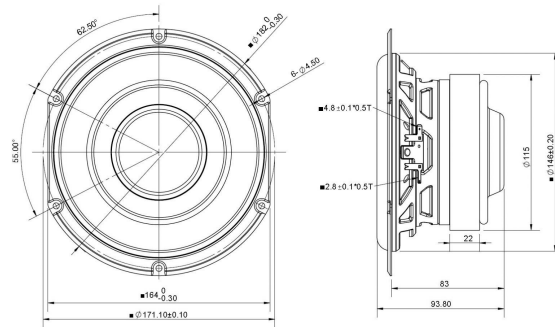
Last Update: 2017-04-25 21:32:09

## Product Description

The SLS line combines high quality performance with an affordable design. This 6.5 inch 4 ohm member of the SLS family features a rigid steel basket, a paper cone, and a ferrite magnet motor with aluminium shorting ring for improved distortion performance.



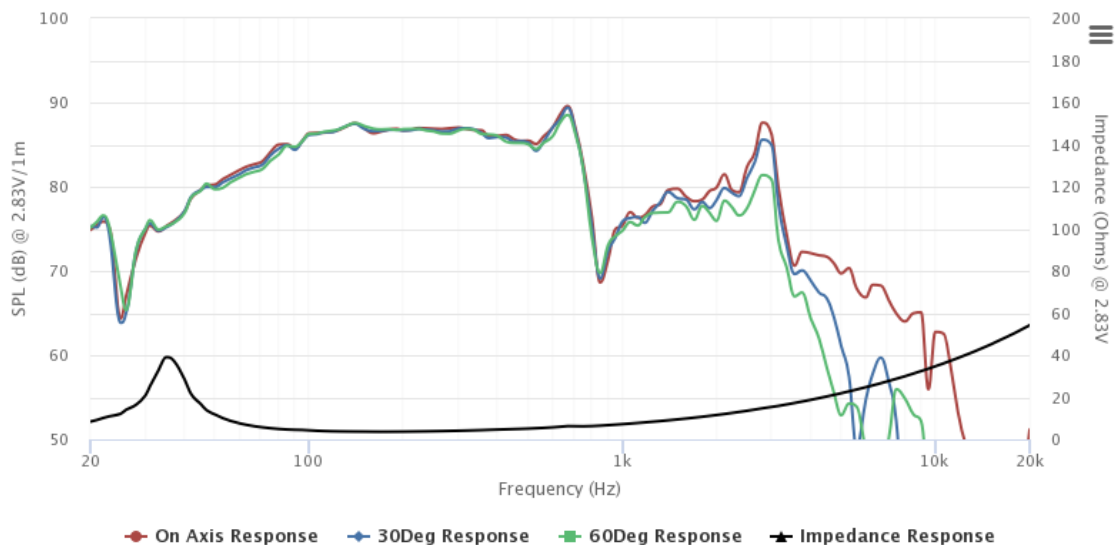
## Mechanical Drawing



## Specifications

|                               |             |        |        |           |                            |      |              |
|-------------------------------|-------------|--------|--------|-----------|----------------------------|------|--------------|
| DC Resistance                 | Revc        | Ohms   | 2.73   | 5.0%      | Energy Bandwidth Product   | EBP  | (1/Qes)*fs   |
| Minimum Impedance             | Zmin        | Ohms   | 3.64   | 7.5%      | Moving Mass                | Mms  | g            |
| Voice Coil Inductance         | Le          | mH     | 0.65   |           | Suspension Compliance      | Cms  | um/N         |
| Resonant Frequency            | Fs          | Hz     | 42.18  | 15%       | Effective Cone diameter    | D    | cm           |
| Mechanical Q Factor           | Qms         |        | 4.92   |           | Effective Piston Area      | Sd   | cm^2         |
| Electrical Q Factor           | Qes         |        | 0.38   |           | Effective Volume           | Vas  | L            |
| Total Q Factor                | Qts         |        | 0.35   |           | Motor Force Factor         | BL   | Tm           |
| Ratio Fs/Qts                  | F           | Fs/Qts | 119.16 |           | Motor Efficiency Factor    | β    | (T*M^2)/Ohms |
| Half Space Sensitivity @2.83V | db@2.83V/1M | dB     | 86.7   | +/- 1.0db | Voice coil former Material | VCfm | GSV          |
| Half Space Sensitivity @1W/1M | db@1W/1M    | dB     | 83.3   | +/- 1.0db | Voice coil inner diameter  | Vcd  | mm           |
| Gap Height                    | Gh          | mm     | 8      |           | Rated Noise Power          | P    | W            |
| Maximum Linear Excursion      | Xmax        | mm     | 8.2    |           | Test Spectrum Bandwidth    |      | 20Hz - 1kHz  |
| Ferrofluid Type               | FF          |        |        |           | Driver Size                | Inch | 6.5 in       |
| Driver Mass                   | Kg          |        | 2.4    |           |                            |      |              |

## Frequency and Impedance Response



Highcharts.com