

Model No.: XLS-P835028

Rev: 1

Product Line: Peerless

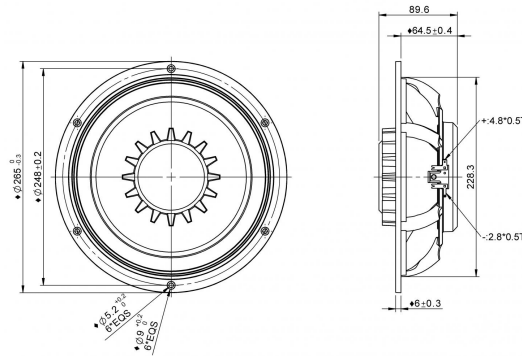
Last Update: 2017-05-10 21:46:31

Product Description

This 10 inch 4 ohm XLS family subwoofer driver has been designed as a shallow profile driver, ideal for in-wall applications and other shallow infinite baffle applications. The driver's motor is positioned above the cone, reversing the usual design approach of placing the motor to the rear of the driver to create the shallow depth profile. The basket is cast aluminium, adding structural rigidity. The motor features a NdFeB magnet, and is heat-sinked (which could be optionally redesigned for a customer-specified look). The cone is coated paper, light and reliable.



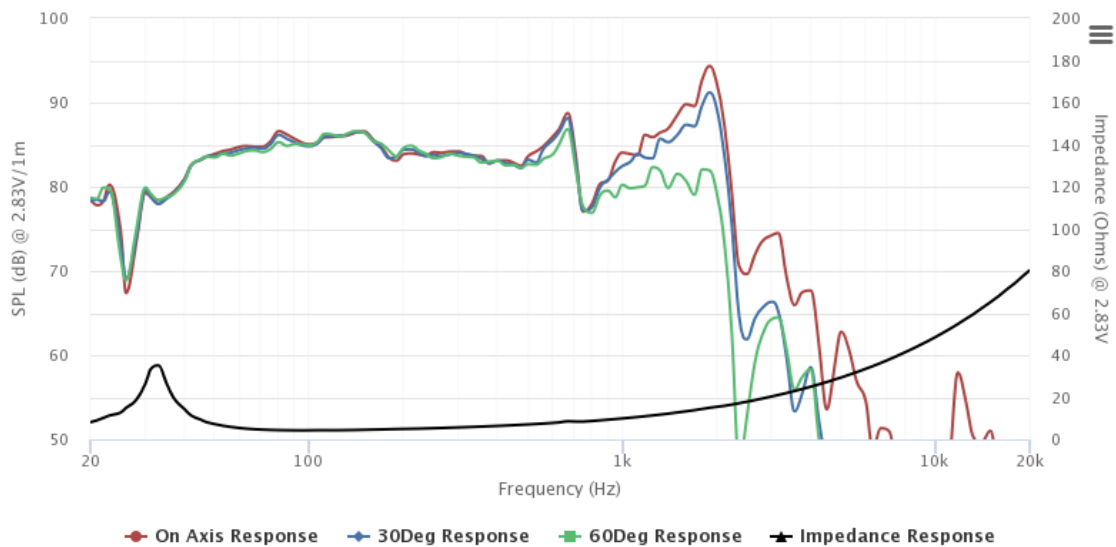
Mechanical Drawing



Specifications

DC Resistance	Revc	Ohms	3.11	5.0%	Energy Bandwidth Product	EBP	(1/Qes)*fs
Minimum Impedance	Zmin	Ohms	4.28	7.5%	Moving Mass	Mms	g
Voice Coil Inductance	Le	mH	0.91		Suspension Compliance	Cms	um/N
Resonant Frequency	Fs	Hz	34.11	15%	Effective Cone diameter	D	cm
Mechanical Q Factor	Qms		6.8		Effective Piston Area	Sd	cm ²
Electrical Q Factor	Qes		0.55		Effective Volume	Vas	L
Total Q Factor	Qts		0.51		Motor Force Factor	BL	Tm
Ratio Fs/Qts	F	Fs/Qts	66.62		Motor Efficiency Factor	β	(T*M ²)/Ohms
Half Space Sensitivity @2.83V	db@2.83V/1M	dB	85.47	+/- 1.0db	Voice coil former Material	VCfm	TIL
Half Space Sensitivity @1W/1M	db@1W/1M	dB	82.7	+/- 1.0db	Voice coil inner diameter	VCd	mm
Gap Height	Gh	mm	10		Rated Noise Power	P	W
Maximum Linear Excursion	Xmax	mm	9		Test Spectrum Bandwidth		20Hz - 500Hz
Ferofluid Type	FF				Driver Size		Inch
Driver Mass	Kg		2.34				10 in

Frequency and Impedance Response



Highcharts.com