

Model No.: TA6FD00-04  
 Product Line: Tymphany

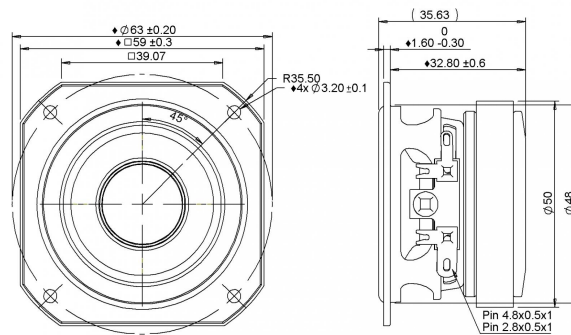
Rev: 1  
 Last Update: 2017-04-25 21:32:09

## Product Description

This 2 inch 4 ohm member of the new TA family sets a high standard for compact full range drivers. Intended for applications such as television soundbars and other compact applications in mind. Design features in this family include a stiff steel basket with venting under the spider to aid cooling of the motor, a ferrite magnet motor with copper cap to lower coil inductance, providing low distortion at low frequencies and extended high frequency response. A black anodized aluminium cone and a black anodized aluminium dust cap are employed on the driver, coupled directly to the voice coil.



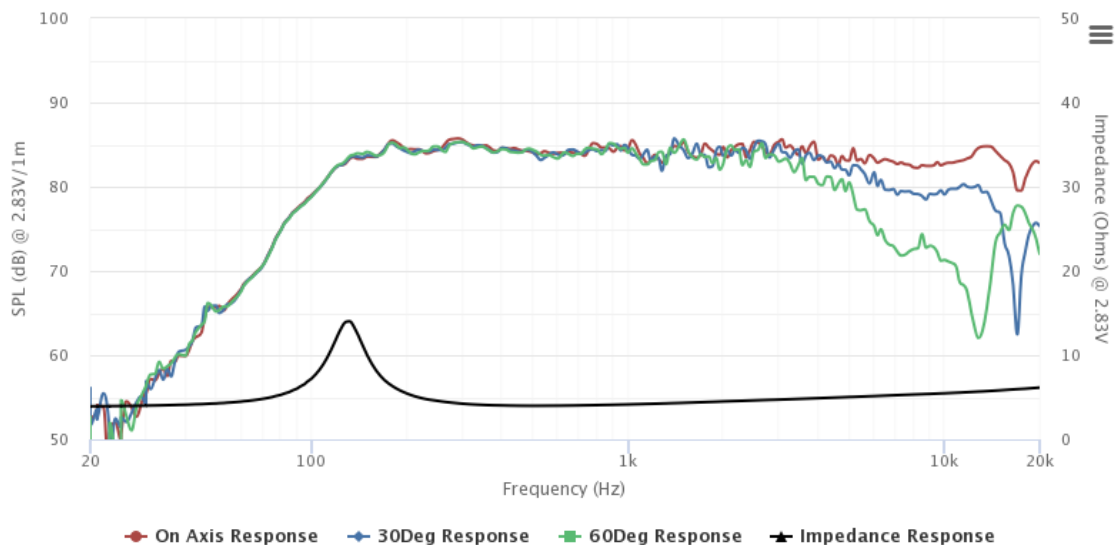
## Mechanical Drawing



## Specifications

|                               |             |        |       |           |                            |      |              |
|-------------------------------|-------------|--------|-------|-----------|----------------------------|------|--------------|
| DC Resistance                 | Revc        | Ohms   | 3.47  | 5.0%      | Energy Bandwidth Product   | EBP  | (1/Qes)*fs   |
| Minimum Impedance             | Zmin        | Ohms   | 3.99  | 7.5%      | Moving Mass                | Mms  | g            |
| Voice Coil Inductance         | Le          | mH     | 0.02  |           | Suspension Compliance      | Cms  | um/N         |
| Resonant Frequency            | Fs          | Hz     | 146.6 | 15%       | Effective Cone diameter    | D    | cm           |
| Mechanical Q Factor           | Qms         |        | 3.78  |           | Effective Piston Area      | Sd   | cm^2         |
| Electrical Q Factor           | Qes         |        | 1.24  |           | Effective Volume           | Vas  | L            |
| Total Q Factor                | Qts         |        | 0.93  |           | Motor Force Factor         | BL   | Tm           |
| Ratio Fs/Qts                  | F           | Fs/Qts | 157.3 |           | Motor Efficiency Factor    | β    | (T*M^2)/Ohms |
| Half Space Sensitivity @2.83V | db@2.83V/1M | dB     | 84.08 | +/- 1.0db | Voice coil former Material | VCfm | ASV          |
| Half Space Sensitivity @1W/1M | db@1W/1M    | dB     | 81.1  | +/- 1.0db | Voice coil inner diameter  | VCd  | mm           |
| Gap Height                    | Gh          | mm     | 3     |           | Rated Noise Power          | P    | W            |
| Maximum Linear Excursion      | Xmax        | mm     | 1     |           | Test Spectrum Bandwidth    |      | 100Hz-20KHz  |
| Ferrofluid Type               | FF          |        |       |           | Driver Size                | Inch | 2 in         |
| Driver Mass                   | Kg          |        | 0.17  |           |                            |      |              |

## Frequency and Impedance Response



Highcharts.com