

Model No.: TC10FG00-04  
 Product Line: Tymphany

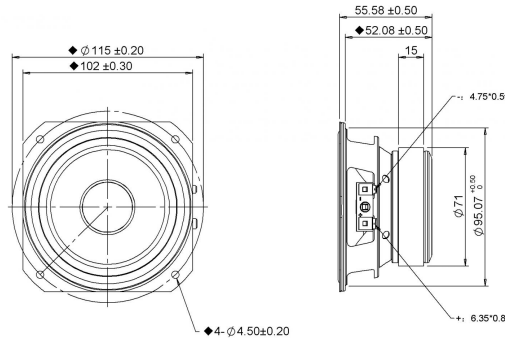
Rev: 1  
 Last Update: 2017-04-25 21:32:09

## Product Description

This TC family 4 inch 4 ohm full-range driver, with ferrite magnet, paper cone and cloth surround, and steel basket, is designed to be a cost-effective high performance full range driver. The product was designed for Pro column speaker application.



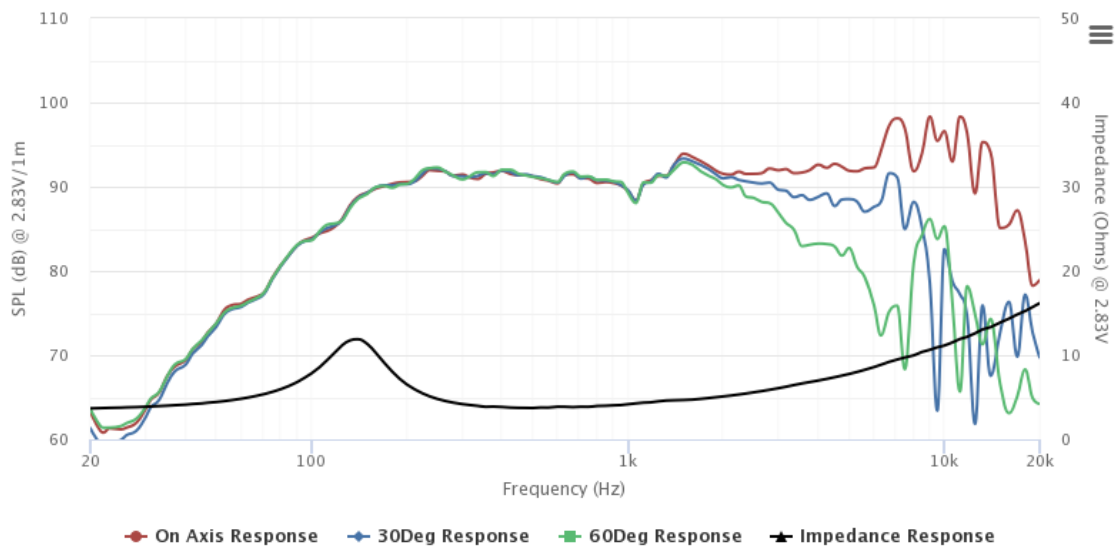
## Mechanical Drawing



## Specifications

DC Resistance	Revc	Ohms	3.28	5.0%	Energy Bandwidth Product	EBP	(1/Qes)*fs
Minimum Impedance	Zmin	Ohms	3.73	7.5%	Moving Mass	Mms	g
Voice Coil Inductance	Le	mH	0.12		Suspension Compliance	Cms	um/N
Resonant Frequency	Fs	Hz	155.17	15%	Effective Cone diameter	D	cm
Mechanical Q Factor	Qms		2.06		Effective Piston Area	Sd	cm <sup>2</sup>
Electrical Q Factor	Qes		0.89		Effective Volume	Vas	L
Total Q Factor	Qts		0.62		Motor Force Factor	BL	Tm
Ratio Fs/Qts	F	Fs/Qts	249.47		Motor Efficiency Factor	$\beta$	(T*M <sup>2</sup> )/Ohms
Half Space Sensitivity @2.83V	db@2.83V/1M	dB	91.12	+/- 1.0db	Voice coil former Material	VCFm	KSV
Half Space Sensitivity @1W/1M	db@1W/1M	dB	87.8	+/- 1.0db	Voice coil inner diameter	VCd	mm
Gap Height	Gh	mm	4		Rated Noise Power	P	W
Maximum Linear Excursion	Xmax	mm	1.4		Test Spectrum Bandwidth		120Hz-20kHz
Ferrofluid Type	FF				Driver Size	Inch	4 in
Driver Mass	Kg		0.6				

## Frequency and Impedance Response



Highcharts.com