

Model No.: TC5FC02-04

Product Line: Tympany

Rev: 1

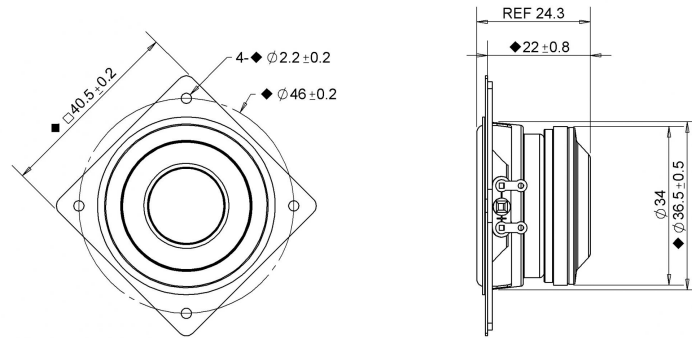
Last Update: 2017-07-26 01:49:17

## Product Description

This TC family 1.5 inch 4 ohm full-range driver, with NdFeB magnet, paper cone and PU surround, and steel basket, is designed to be a high performance full range driver. The product was designed with television and other compact applications in mind.



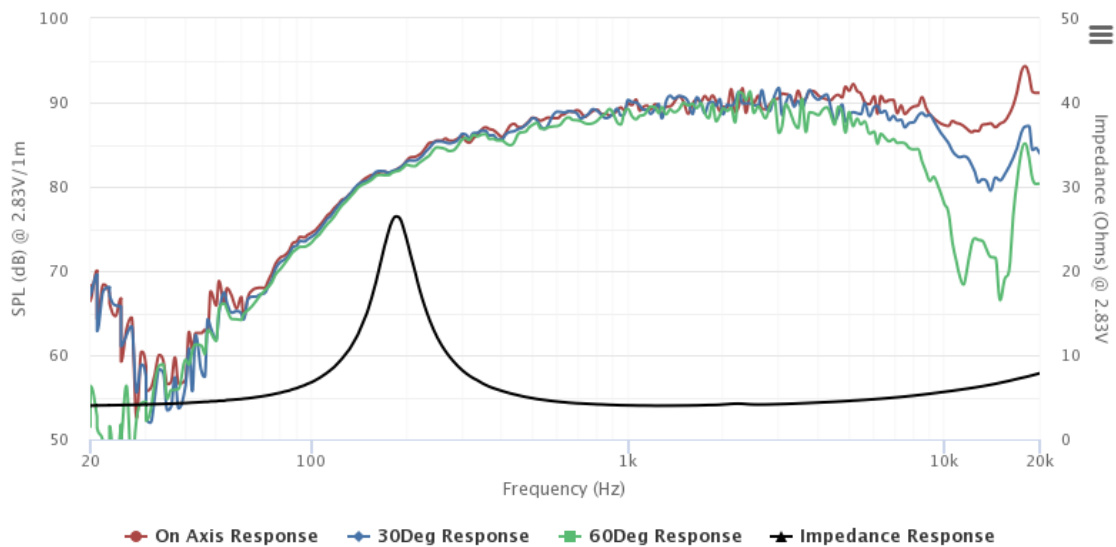
## Mechanical Drawing



## Specifications

|                               |             |        |        |           |                            |      |              |           |
|-------------------------------|-------------|--------|--------|-----------|----------------------------|------|--------------|-----------|
| DC Resistance                 | Revc        | Ohms   | 3.03   | 5.0%      | Energy Bandwidth Product   | EBP  | (1/Qes)*fs   |           |
| Minimum Impedance             | Zmin        | Ohms   | 4      | 7.5%      | Moving Mass                | Mms  | g            | 0.5       |
| Voice Coil Inductance         | Le          | mH     | 0.03   |           | Suspension Compliance      | Cms  | um/N         | 1199.4    |
| Resonant Frequency            | Fs          | Hz     | 203.04 | 15%       | Effective Cone diameter    | D    | cm           | 3.15      |
| Mechanical Q Factor           | Qms         |        | 3.94   |           | Effective Piston Area      | Sd   | cm^2         | 7.8       |
| Electrical Q Factor           | Qes         |        | 0.5    |           | Effective Volume           | Vas  | L            | 0.1       |
| Total Q Factor                | Qts         |        | 0.45   |           | Motor Force Factor         | BL   | Tm           | 1.99      |
| Ratio Fs/Qts                  | F           | Fs/Qts | 456.26 |           | Motor Efficiency Factor    | β    | (T*M^2)/Ohms | 1.3       |
| Half Space Sensitivity @2.83V | db@2.83V/1M | dB     | 89.33  | +/- 1.0db | Voice coil former Material | VCfm |              | KSV       |
| Half Space Sensitivity @1W/1M | db@1W/1M    | dB     | 86.3   | +/- 1.0db | Voice coil inner diameter  | VCd  | mm           | 16.28     |
| Gap Height                    | Gh          | mm     | 2      |           | Rated Noise Power          | P    | W            | 5         |
| Maximum Linear Excursion      | Xmax        | mm     | 0.5    |           | Test Spectrum Bandwidth    |      |              | 200-20KHz |
| Ferrofluid Type               | FF          |        |        |           | Driver Size                | Inch |              | 1.5 in    |
| Driver Mass                   | Kg          |        | 0.08   |           |                            |      |              |           |

## Frequency and Impedance Response



Highcharts.com