

Model No.: H25TG05-04

Product Line: Tymphany

Rev: 1

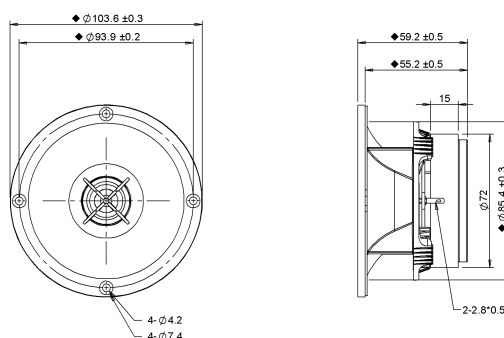
Last Update: 2017-04-25 14:32:09

Product Description

This is a 1 inch 4 ohm transducer, member of the H family. This family design features a treated Ti dome, large rear chamber for low resonant frequency, and a ferrofluid cooled the motor. The large motor allow for robust power handling capacity. The tweeter comes with a faceplate with recessed mounting holes, for easy installation into the desired application. The faceplate has a horn geometry for increased sensitivity.



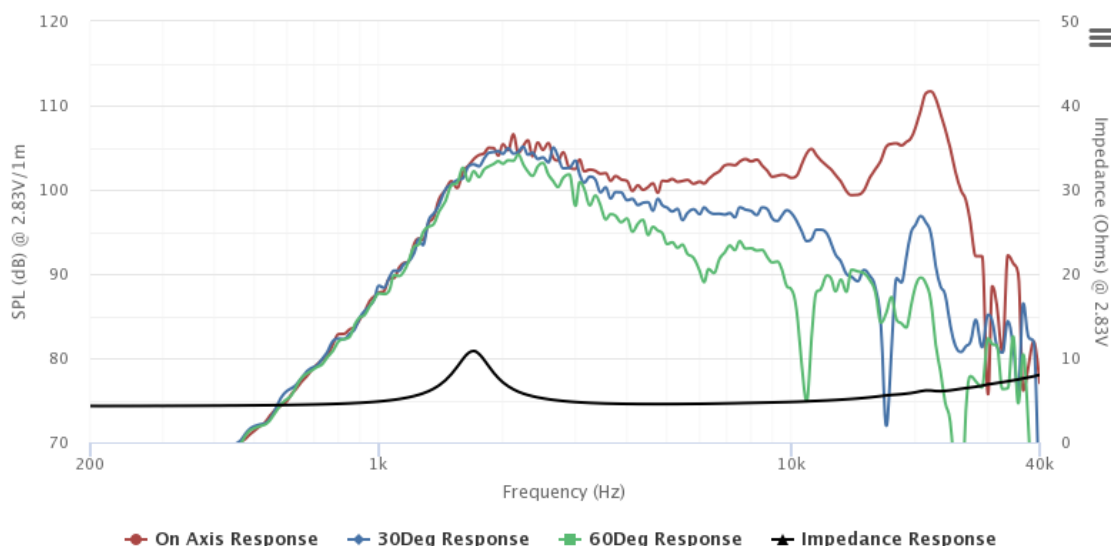
Mechanical Drawing



Specifications

| | | | | | | | |
|-------------------------------|-------------|--------|---------|-----------|----------------------------|------|--------------------------|
| DC Resistance | Revc | Ohms | 3.69 | 5.0% | Energy Bandwidth Product | EBP | (1/Qes)*fs |
| Minimum Impedance | Zmin | Ohms | 4.55 | 7.5% | Moving Mass | Mms | g |
| Voice Coil Inductance | Le | mH | 0.01 | | Suspension Compliance | Cms | um/N |
| Resonant Frequency | Fs | Hz | 1738.33 | 15% | Effective Cone diameter | D | cm |
| Mechanical Q Factor | Qms | | 4.23 | | Effective Piston Area | Sd | cm ² |
| Electrical Q Factor | Qes | | 2.66 | | Effective Volume | Vas | L |
| Total Q Factor | Qts | | 1.63 | | Motor Force Factor | BL | Tm |
| Ratio Fs/Qts | F | Fs/Qts | 1063.85 | | Motor Efficiency Factor | β | (T*M ²)/Ohms |
| Half Space Sensitivity @2.83V | db@2.83V/1M | dB | 100.56 | +/- 1.0db | Voice coil former Material | VCfm | KSV |
| Half Space Sensitivity @1W/1M | db@1W/1M | dB | 98.1 | +/- 1.0db | Voice coil inner diameter | VCd | mm |
| Gap Height | Gh | mm | 3 | | Rated Noise Power | P | W |
| Maximum Linear Excursion | Xmax | mm | 1 | | Test Spectrum Bandwidth | | 2KHz-20KHz |
| Ferrofluid Type | FF | | | | Driver Size | Inch | 25 mm |
| Driver Mass | Kg | | 0.56 | | | | |

Frequency and Impedance Response



Highcharts.com