

Model No.: PLS-75N25AL02-04

Product Line: Tymphany

Rev: 1

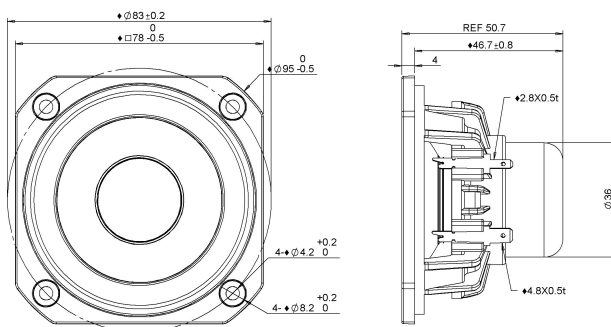
Last Update: 2017-09-29 04:23:48

## Product Description

This 2.5 inch 4 ohm member of the PLS family sets a high standard for compact full range drivers intended for applications such as television soundbars and compact music systems. Design features in this family include a damped plastic basket with venting under the spider to aid cooling of the motor, a neodymium magnet motor with copper cap to lower coil inductance, providing low distortion at low frequencies and extended high frequency response. A black anodized aluminium cone is employed, along with a black anodized aluminium dust cap coupled directly to the voice coil. Additionally, the cones come equipped with special-designed large roll rubber surrounds, which allow for a dynamic linear response at high excursion.



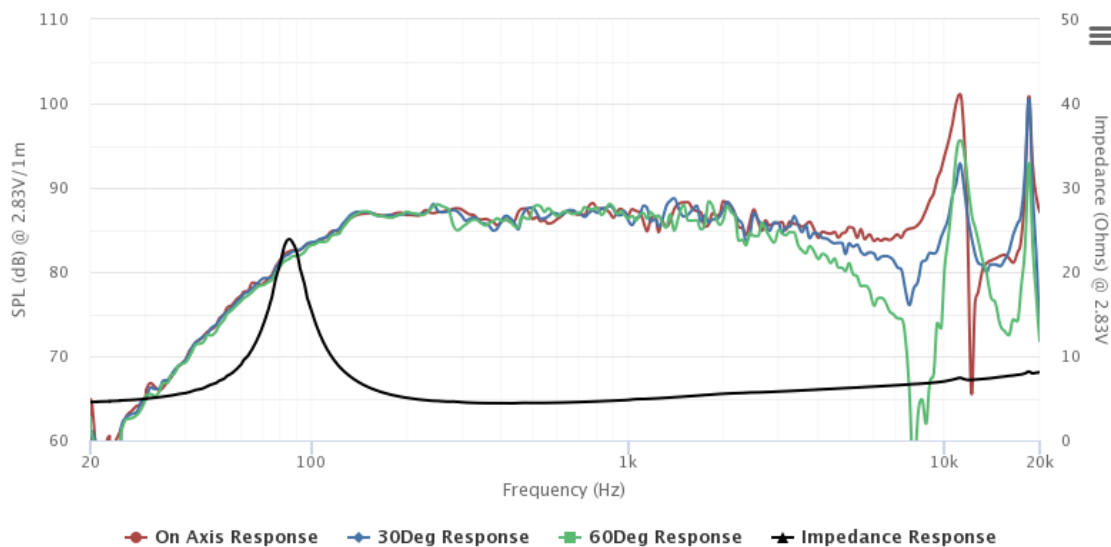
## Mechanical Drawing



## Specifications

DC Resistance	Revc	Ohms	3.65	5.0%	Energy Bandwidth Product	EBP	(1/Qes)*fs
Minimum Impedance	Zmin	Ohms	4.41	7.5%	Moving Mass	Mms	g
Voice Coil Inductance	Le	mH	0.05		Suspension Compliance	Cms	um/N
Resonant Frequency	Fs	Hz	96.06	15%	Effective Cone diameter	D	cm
Mechanical Q Factor	Qms		5.76		Effective Piston Area	Sd	cm <sup>2</sup>
Electrical Q Factor	Qes		0.76		Effective Volume	Vas	L
Total Q Factor	Qts		0.67		Motor Force Factor	BL	Tm
Ratio Fs/Qts	F	Fs/Qts	142.95		Motor Efficiency Factor	β	(T*M <sup>2</sup> )/Ohms
Half Space Sensitivity @2.83V	db@2.83V/1M	dB	86.26	+/- 1.0db	Voice coil former Material	VCfm	ASV
Half Space Sensitivity @1W/1M	db@1W/1M	dB	83.7	+/- 1.0db	Voice coil inner diameter	VCd	mm
Gap Height	Gh	mm	4		Rated Noise Power	P	W
Maximum Linear Excursion	Xmax	mm	2.3		Test Spectrum Bandwidth		100Hz-20KHz
Ferrofluid Type	FF				Driver Size	Inch	3 in
Driver Mass	Kg		0.21				

## Frequency and Impedance Response



Highcharts.com